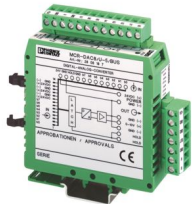


# MCR-DAC 8-U-10-BUS - Converter

2808190

<https://www.phoenixcontact.com/us/products/2808190>

Please be informed that the data shown in this PDF document is generated from our online catalog. Please find the complete data in the user documentation. Our general terms of use for downloads are valid.



MCR 8-bit digital/analog converters, with flat-ribbon cable connection and COMBICON connector, pitch 5.08 mm, output signal 0..10 V

## Commercial data

Item number	2808190
Packing unit	1 pc
Note	Made to order (non-returnable)
Sales key	C401
Product key	DK1XXX
GTIN	4017918075545
Weight per piece (including packing)	151.2 g
Weight per piece (excluding packing)	145 g
Customs tariff number	85389091
Country of origin	DE

## Technical data

### Electrical properties

Maximum power dissipation for nominal condition	< 480 mW
Protective circuit	Protection against polarity reversal, suppressor diode
Maximum transmission error	±1 LSB, for 25 °C

### Supply

Nominal supply voltage	24 V DC ±10 %
Supply voltage range	22 V DC ... 26 V DC
Max. current consumption	20 mA

### Input data

#### Signal D/A converter

Input signal digital	8 bit (1 leading sign)
Input voltage range	24 V DC ... 30 V DC
Signal level "1" signal	≥ 15 V DC
Signal level "0" signal	≤ 2 V DC
Max. current input signal	≤ 1 mA
Input resistance of voltage input	≥ 5.7 kΩ
Protective circuit	Surge protection; Suppressor diode, 36 V / 1500 W

### Output data

#### Signal

Output current	5 mA
----------------	------

#### Signal: Voltage output

Voltage output signal	0 V ... 10 V
Load/output load voltage output	≥ 2 kΩ
Resolution, outputs (voltage)	approx. 39 mV
D/A conversion time	≤ 25 μs

### Connection data

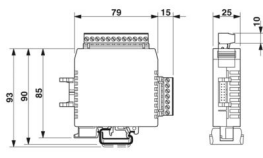
Connection method	Screw connection
Stripping length	8 mm
Screw thread	M3
Conductor cross-section rigid	0.2 mm <sup>2</sup> ... 2.5 mm <sup>2</sup>
Conductor cross-section flexible	0.2 mm <sup>2</sup> ... 2.5 mm <sup>2</sup>
Conductor cross-section AWG	24 ... 14

### Dimensions

# MCR-DAC 8-U-10-BUS - Converter

2808190

<https://www.phoenixcontact.com/us/products/2808190>

Dimensional drawing	
Width	25 mm
Height	79 mm
Depth	93 mm

## Material specifications

Color	green (RAL 6021)
Housing material	Polyamide PA non-reinforced

## Environmental and real-life conditions

### Ambient conditions

Ambient temperature (operation)	0 °C ... 55 °C
---------------------------------	----------------

## Approvals

### CE

Certificate	CE-compliant
-------------	--------------

## Mounting

Mounting type	DIN rail mounting
Mounting position	any

# MCR-DAC 8-U-10-BUS - Converter

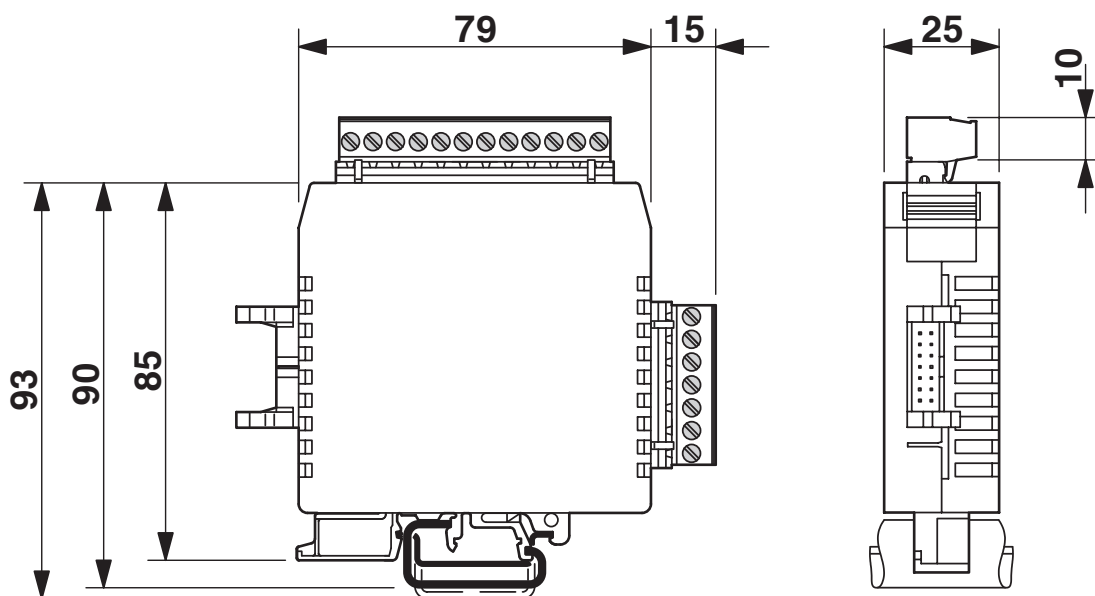


2808190

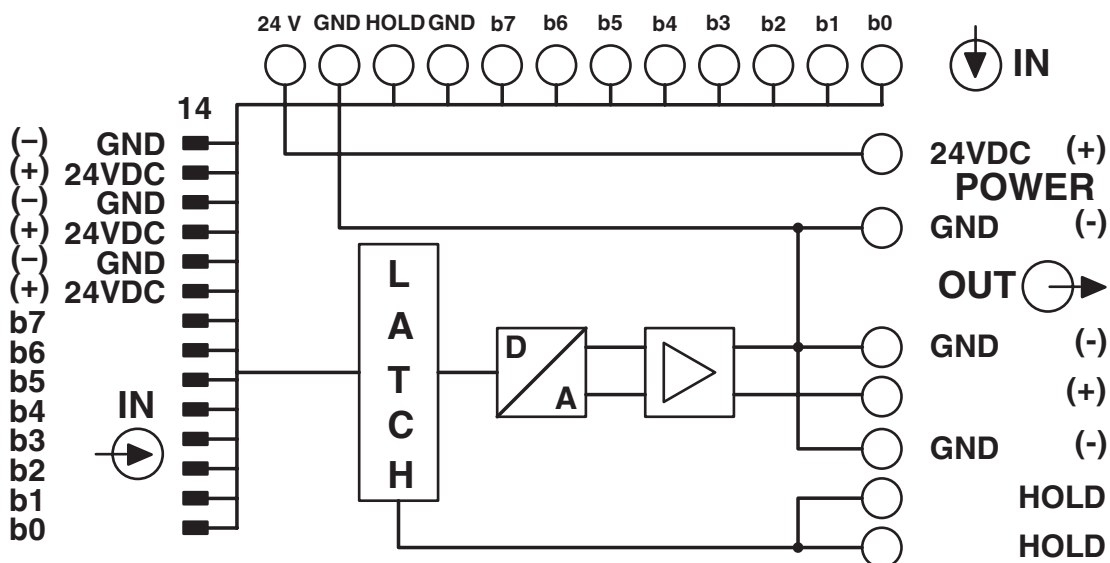
<https://www.phoenixcontact.com/us/products/2808190>

## Drawings

Dimensional drawing



Circuit diagram



# MCR-DAC 8-U-10-BUS - Converter



2808190

<https://www.phoenixcontact.com/us/products/2808190>

## Environmental product compliance

### China RoHS

Environment friendly use period (EFUP)	EFUP-50
	An article-related China RoHS declaration table can be found in the download area for the respective article under "Manufacturer declaration". For all articles with EFUP-E, no China RoHS declaration table issued and required.

### EU REACH SVHC

REACH candidate substance (CAS No.)	No substance above 0.1 wt%
-------------------------------------	----------------------------

Phoenix Contact 2025 © - all rights reserved  
<https://www.phoenixcontact.com>

Phoenix Contact USA  
586 Fulling Mill Road  
Middletown, PA 17057, United States  
(+717) 944-1300  
[info@phoenixcon.com](mailto:info@phoenixcon.com)