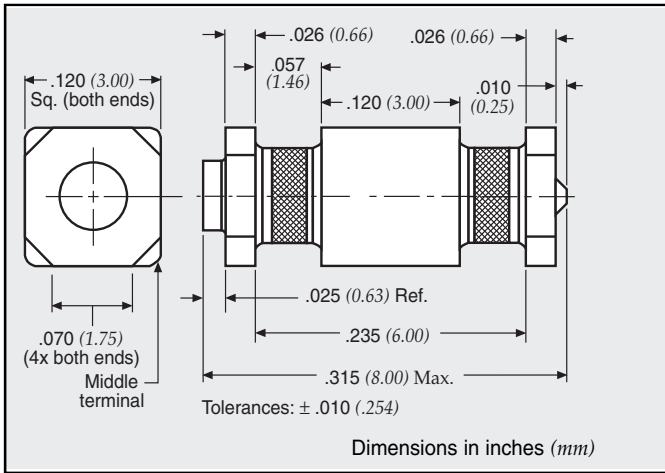
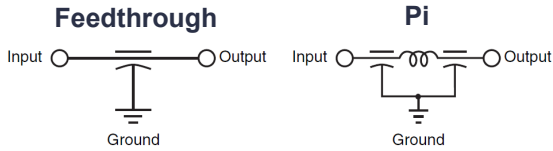
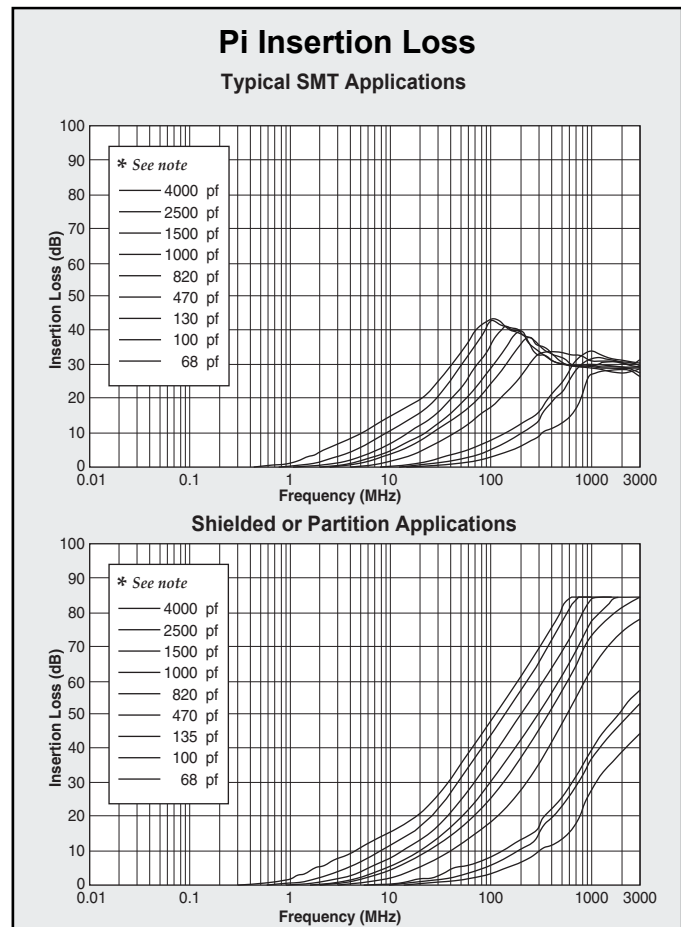
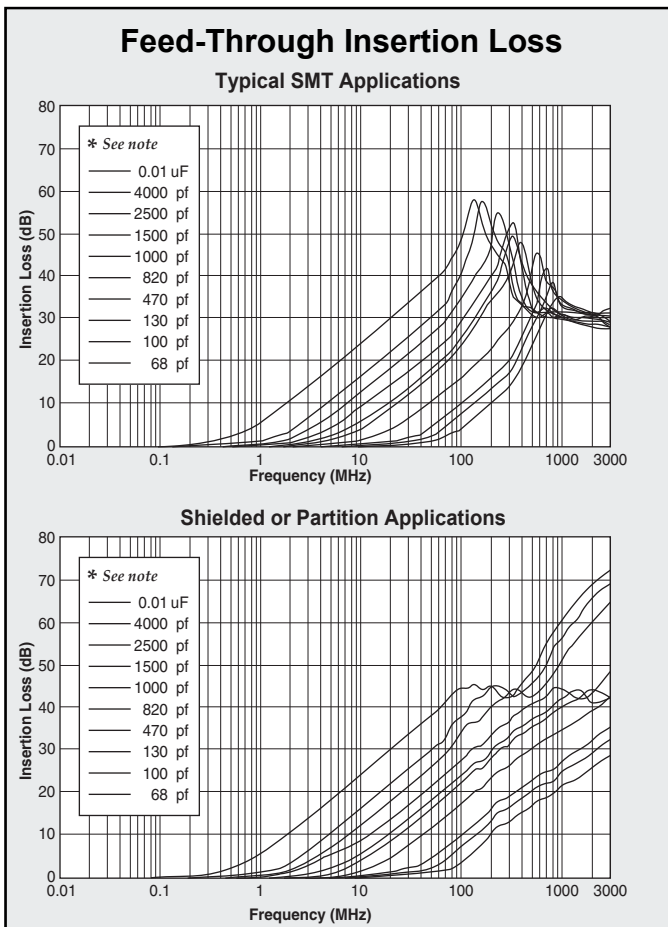


Power Surface Mount Filters



| Parameter | Value |
|-----------------------|--|
| Voltage Rating DC | 200 VDC @ -55°C to +125°C |
| DWV | 700 VDC |
| Current Rating | 20 Amps (Feed-through) max. 10 Amps (Pi) max. |
| Insulation Resistance | 1.0 GΩ @ 25°C |
| Dissipation Factor | 4.0% maximum |
| D.C.R. | Max. 0.0005Ω, typ. 0.0002Ω |



Power Surface Mount Filters

PSM Ordering Information

Example: PSM4-402Z-20T0

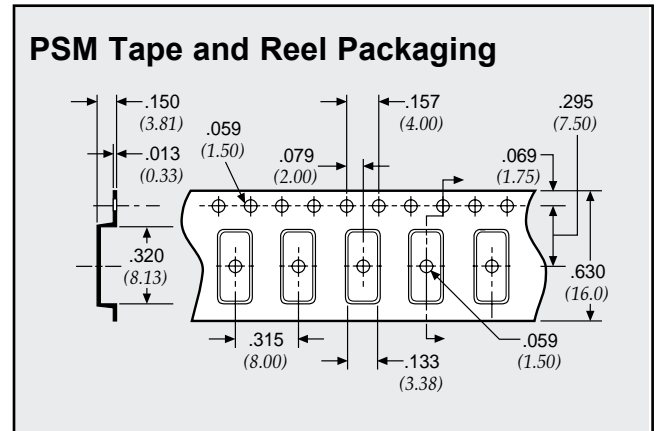
| | | | | | |
|-------------|---------------------------|-------------|---|---|--|
| PSM | 4 | 402Z | 20 | T | 0 |
| | | | | | |
| Style | Circuit Configuration | Capacitance | Current Rating | Packaging | Tape and Reel |
| | | | | | |
| PSM (Power) | 1 - Pi 4 - Feedthrough | | 10 - 10 Amps (Pi) 20 - 20 Amps (Feedthrough) | T - Tape and reel packaging B - Bulk packaging | 0 - 500 pieces <i>Note: Tape and reel packaging - 500 pieces (7")</i> |

| Code | Value* | Tolerance |
|--------|---------|-----------|
| 680M | 68 pF | ±20% |
| 101M | 100 pF | ±20% |
| 102M | 1000 pF | ±20% |
| 252P | 2500 pF | +100/-0% |
| 402Z | 4000 pF | +80/20% |
| 103Z** | .01 μF | +80/-20% |

*Other capacitance values available as special order.
**Available in feedthrough circuit only.

Technical Notes

- Soldering recommendations supplied upon request
- Reflow temperature limit is 260°C
- Unit weight is approximately 0.4 grams



Dimensions in inches (mm)

PSM Recommended Board Pattern

- Solder paste pattern
- Recommended pad, must be able to support continuous signal current

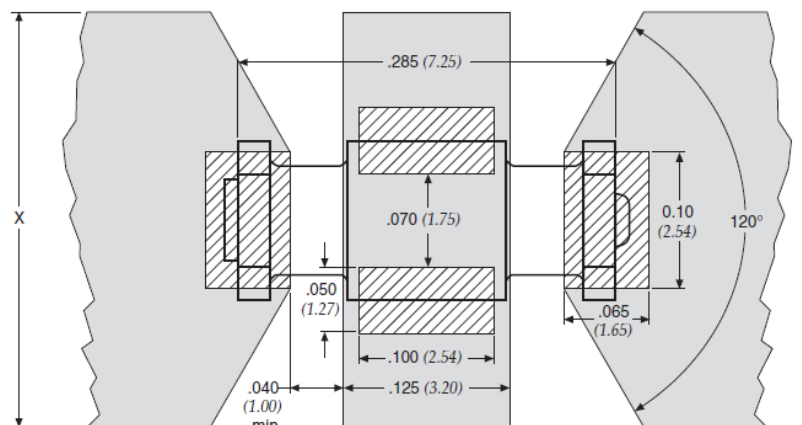
20 Amps Feedthrough

X = 0.350" minimum for 1 oz. copper (0.036 mm thickness)

X = 0.200" minimum for 2 oz. copper (0.071 mm thickness)

10 Amp Pi

X = 0.130" minimum for 1 oz. copper (0.036 mm thickness)



Dimensions in inches (mm)