

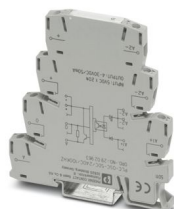
# PLC-OSC- 5DC/ 24DC/100KHZ - Solid-state relay module



2902963

<https://www.phoenixcontact.com/us/products/2902963>

Please be informed that the data shown in this PDF document is generated from our online catalog. Please find the complete data in the user documentation. Our general terms of use for downloads are valid.



Input solid-state relay, transmission frequency: 100 kHz, with LED and protective circuit in input and output circuits, input: 5 V DC, output: 4 - 30 V DC/50 mA

## Commercial data

Item number	2902963
Packing unit	1 pc
Note	Made to order (non-returnable)
Sales key	C461
Product key	DK6235
GTIN	4046356702836
Weight per piece (including packing)	43.4 g
Weight per piece (excluding packing)	33.6 g
Customs tariff number	85364900
Country of origin	DE

# PLC-OSC- 5DC/ 24DC/100KHZ - Solid-state relay module



2902963

<https://www.phoenixcontact.com/us/products/2902963>

## Technical data

### Product properties

Product type	Solid-state relay module
Product family	PLC-INTERFACE
Application	100 kHz input optocoupler
Operating mode	100% operating factor

Insulation characteristics: Air clearances and creepage distances between the power circuits

Insulation	Basic insulation
Overvoltage category	II
Pollution degree	2

Data management status

Date of last data management	15.09.2025
------------------------------	------------

### Electrical properties

Maximum power dissipation for nominal condition	0.04 W
Test voltage (Input/output)	2.5 kV <sub>rms</sub> (50 Hz, 1 min., input/output)

Air clearances and creepage distances between the power circuits

Rated insulation voltage	50 V DC
Rated surge voltage	0.5 kV

### Input data

Nominal input voltage $U_N$	5 V DC
Input voltage range in reference to $U_N$	0.8 ... 1.2
Input voltage range	4 V DC ... 6 V DC
Switching threshold "0" signal in reference to $U_N$	< 0.4
Switching threshold "1" signal in reference to $U_N$	> 0.8
Typical input current at $U_N$	7 mA
Typical response time	1.5 $\mu$ s
Typical turn-off time	2 $\mu$ s
Operating voltage display	Yellow LED
Protective circuit	Reverse polarity protection Surge protection
Surge voltage protection	> 14 V
Transmission frequency	100 kHz

### Output data

Designation	Output data
Contact switching type	1 N/O contact
Design of digital output	electronic
Output voltage range	4 V DC ... 30 V DC
Limiting continuous current	50 mA

# PLC-OSC- 5DC/ 24DC/100KHZ - Solid-state relay module



2902963

<https://www.phoenixcontact.com/us/products/2902963>

Quiescent current	4.3 mA
Surge voltage protection	> 35 V
Voltage drop at max. limiting continuous current	< 0.5 V
Output circuit	3-conductor, ground-referenced
Protective circuit	Reverse polarity protection Surge protection

## Connection data

Connection method	Screw connection
Stripping length	8 mm
Screw thread	M3
Conductor cross-section rigid	0.14 mm <sup>2</sup> ... 2.5 mm <sup>2</sup>
Conductor cross-section flexible	0.14 mm <sup>2</sup> ... 2.5 mm <sup>2</sup> 0.2 mm <sup>2</sup> ... 2.5 mm <sup>2</sup> (Single ferrule) 2x 0.5 mm <sup>2</sup> ... 1.5 mm <sup>2</sup> (TWIN ferrule)
Conductor cross-section AWG	26 ... 14
Tightening torque	0.6 Nm ... 0.8 Nm

## Dimensions

Width	6.2 mm
Height	80 mm
Depth	86 mm

## Material specifications

Color	gray (RAL 7042)
-------	-----------------

## Environmental and real-life conditions

### Ambient conditions

Degree of protection	IP20
Ambient temperature (operation)	-20 °C ... 60 °C
Ambient temperature (storage/transport)	-25 °C ... 75 °C

## Approvals

### Corrosive gas test

Identification	ISA-S71.04. G3 Harsh Group EN 60068-2-60
----------------	---------------------------------------------

## Standards and regulations

### Air clearances and creepage distances between the power circuits

Standards/regulations	DIN EN 50178
-----------------------	--------------

## Mounting

Mounting type	DIN rail mounting
---------------	-------------------

# PLC-OSC- 5DC/ 24DC/100KHZ - Solid-state relay module



2902963

<https://www.phoenixcontact.com/us/products/2902963>

Assembly note	in rows with zero spacing
Mounting position	any

# PLC-OSC- 5DC/ 24DC/100KHZ - Solid-state relay module

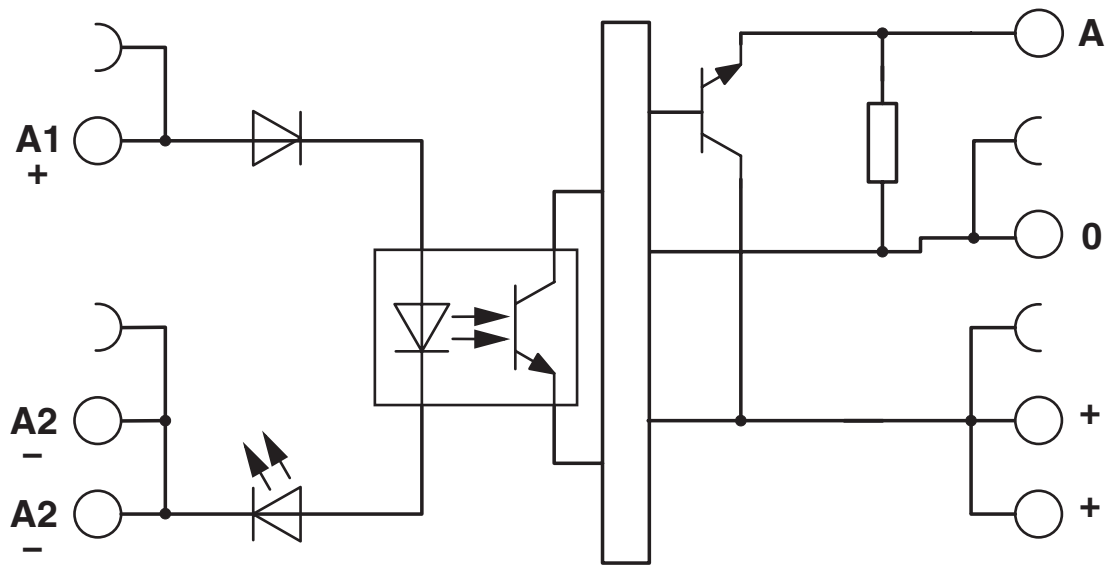


2902963

<https://www.phoenixcontact.com/us/products/2902963>

## Drawings

Circuit diagram



# PLC-OSC- 5DC/ 24DC/100KHZ - Solid-state relay module



2902963

<https://www.phoenixcontact.com/us/products/2902963>

## Classifications

### ETIM

ETIM 8.0	EC001504
----------	----------

### UNSPSC

UNSPSC 21.0	39122300
-------------	----------

# PLC-OSC- 5DC/ 24DC/100KHZ - Solid-state relay module



2902963

<https://www.phoenixcontact.com/us/products/2902963>

## Environmental product compliance

### EU RoHS

Fulfills EU RoHS substance requirements	Yes
Exemption	7(a), 7(c)-I

### China RoHS

Environment friendly use period (EFUP)	EFUP-50
	An article-related China RoHS declaration table can be found in the download area for the respective article under "Manufacturer declaration". For all articles with EFUP-E, no China RoHS declaration table issued and required.

### EU REACH SVHC

REACH candidate substance (CAS No.)	Lead(CAS: 7439-92-1)
-------------------------------------	----------------------

Phoenix Contact 2025 © - all rights reserved  
<https://www.phoenixcontact.com>

Phoenix Contact USA  
586 Fulling Mill Road  
Middletown, PA 17057, United States  
(+717) 944-1300  
[info@phoenixcon.com](mailto:info@phoenixcon.com)