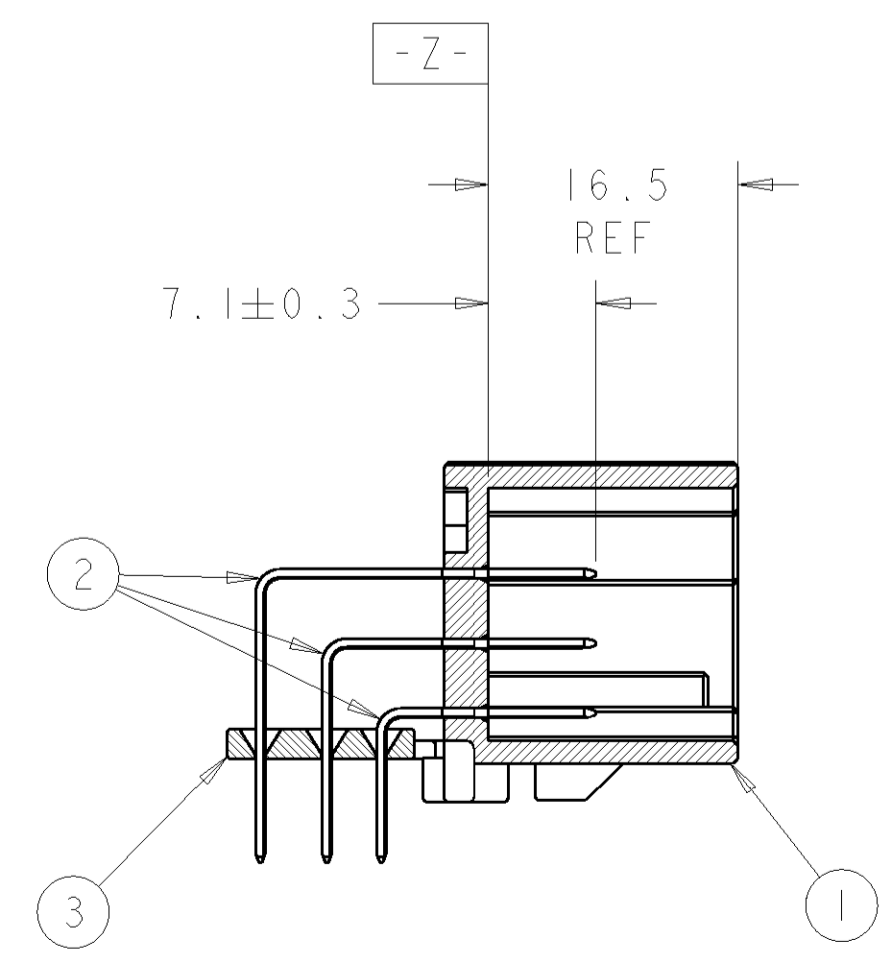
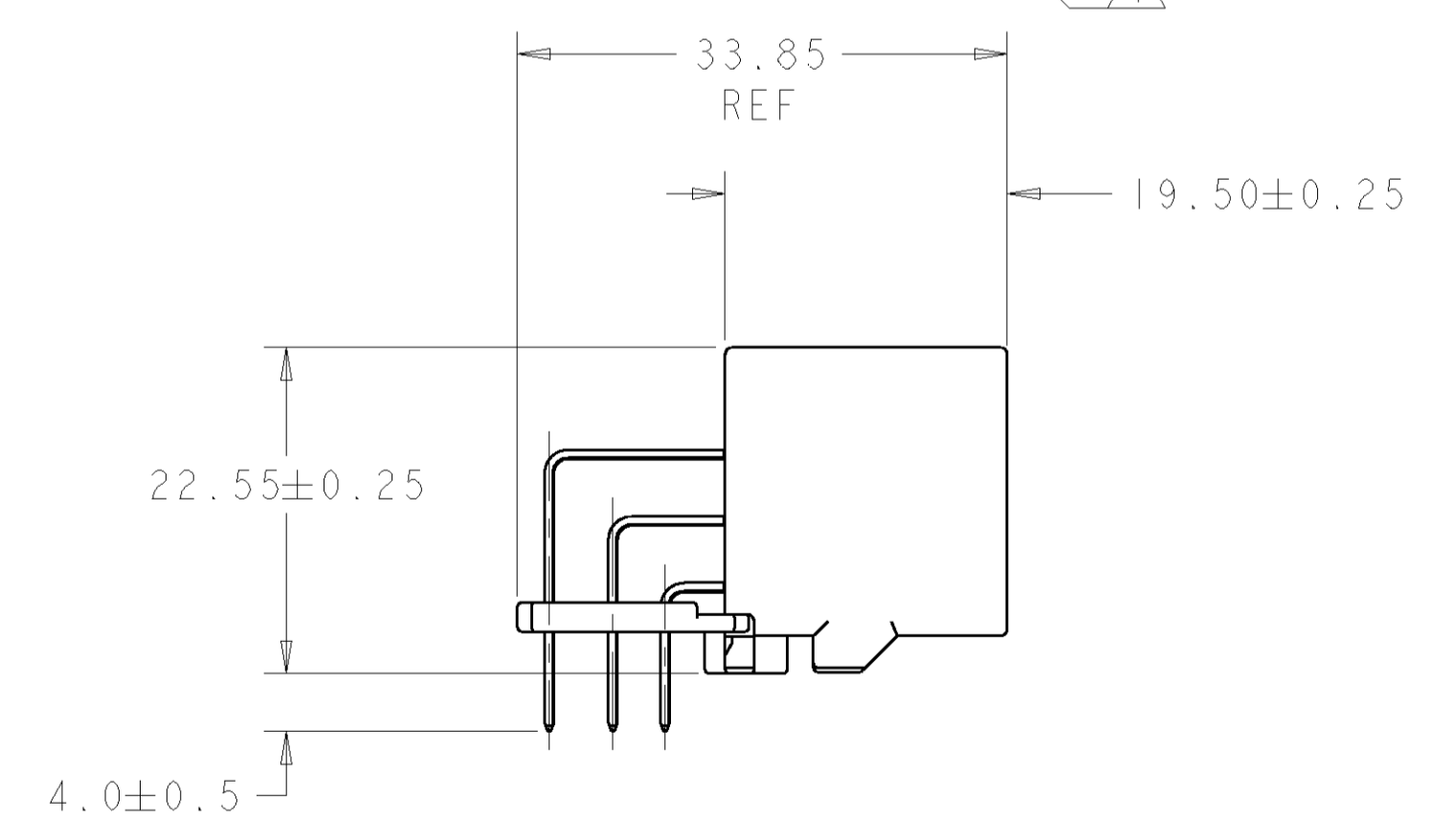
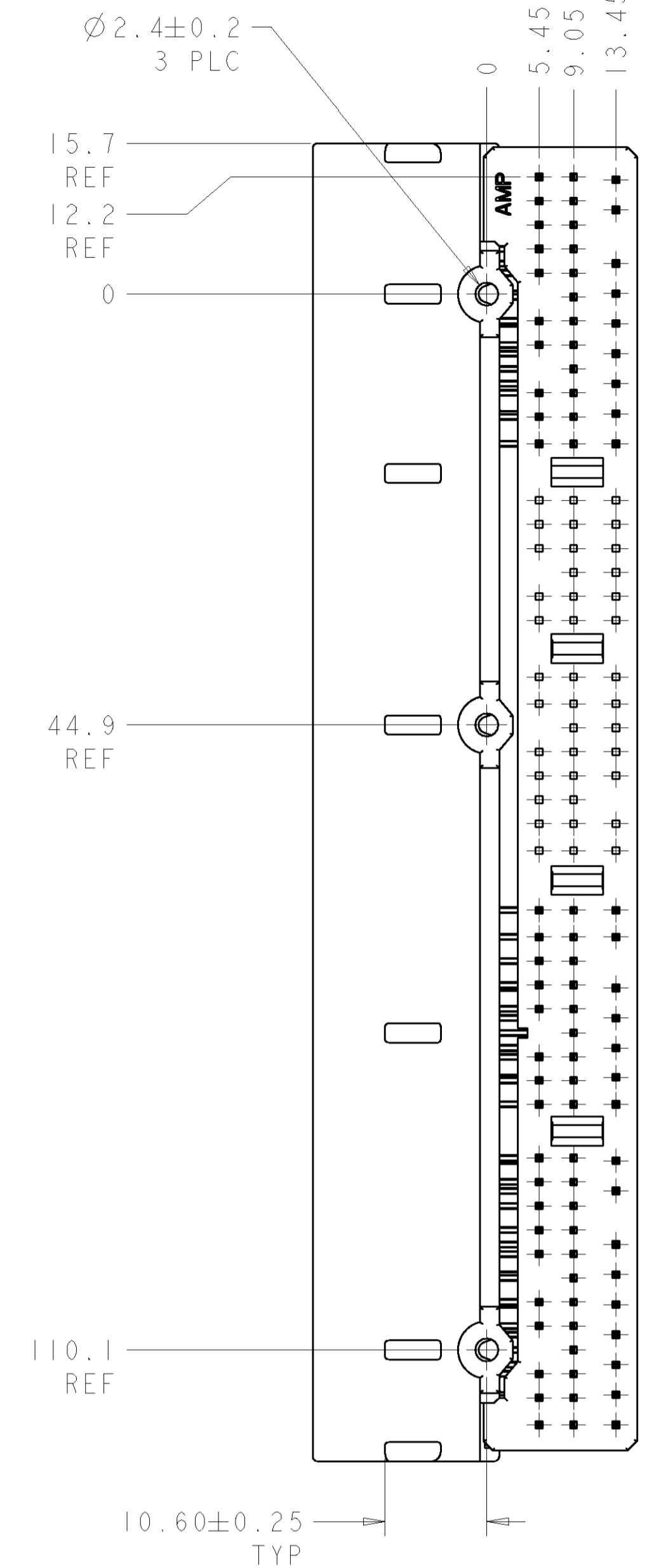
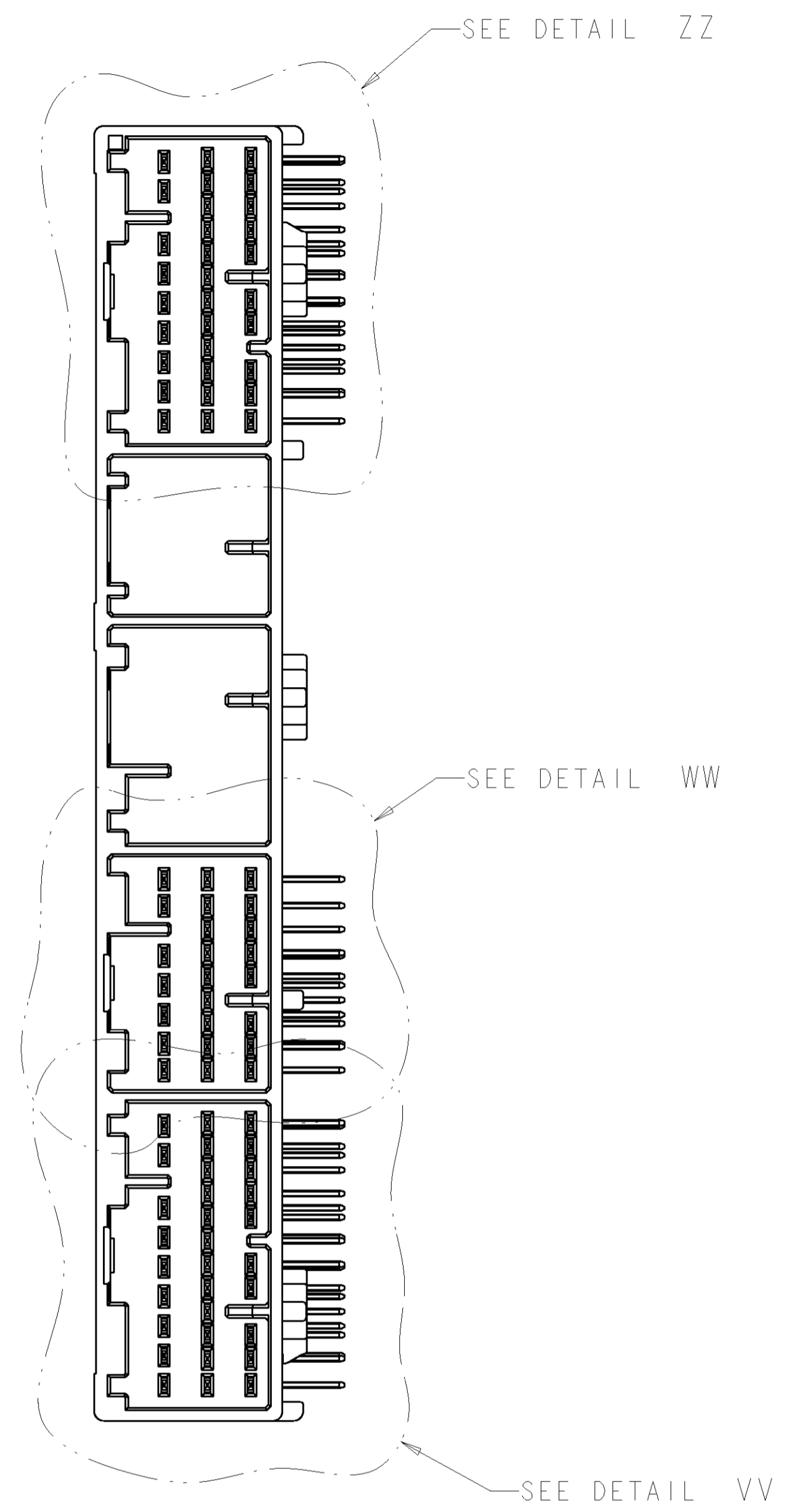
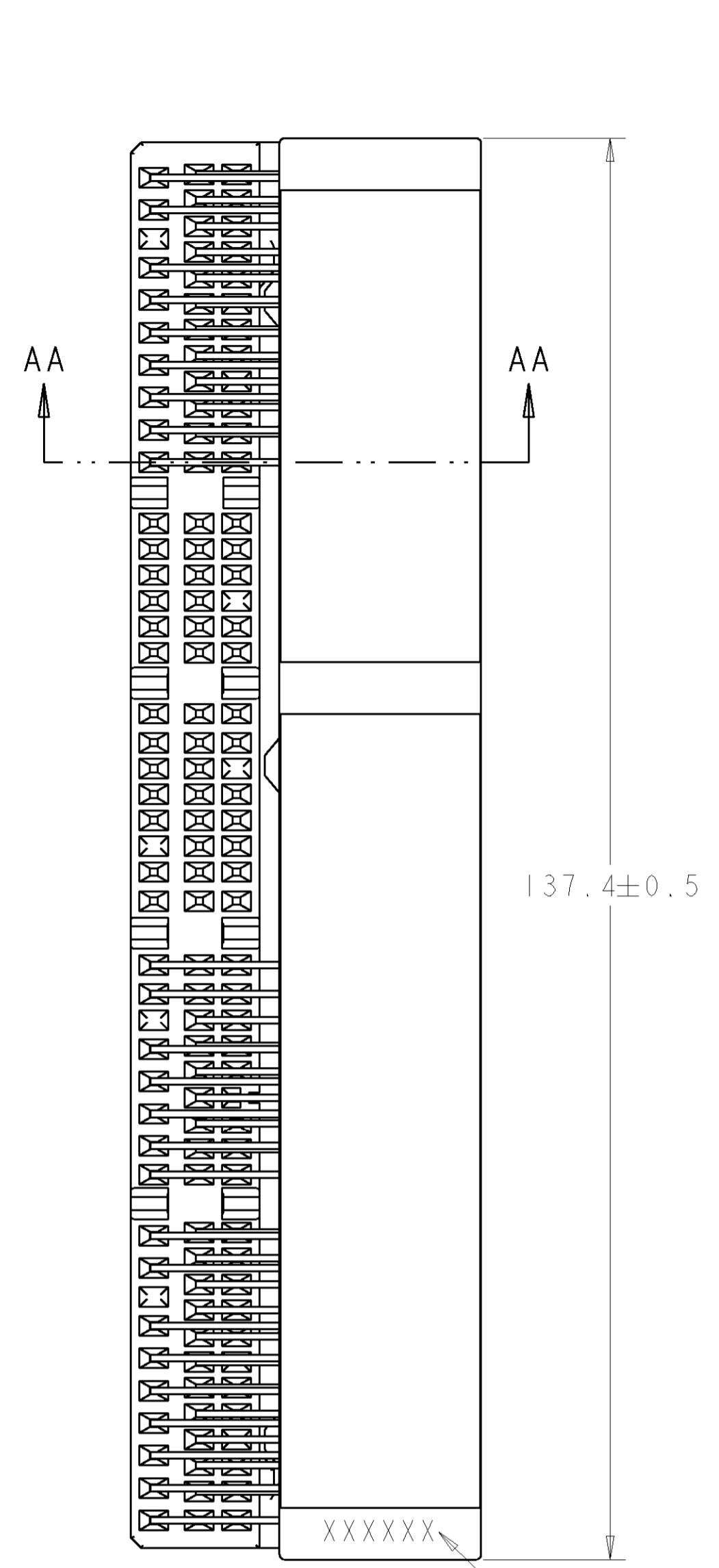


LOC	DIST	REVISIONS			
F	LTR	DESCRIPTION	DATE	DWN	APPD
0		REL PER NPR 20032	18JUL2000	JRB	RAS
A		REV PER ECN 0K80-0228-00	23OCT2000	JM	RAS
B		REV PER EC 0K80-0311-01	14JAN2002	RGV	GEM



SECTION AA-AA
SCALE 2:1

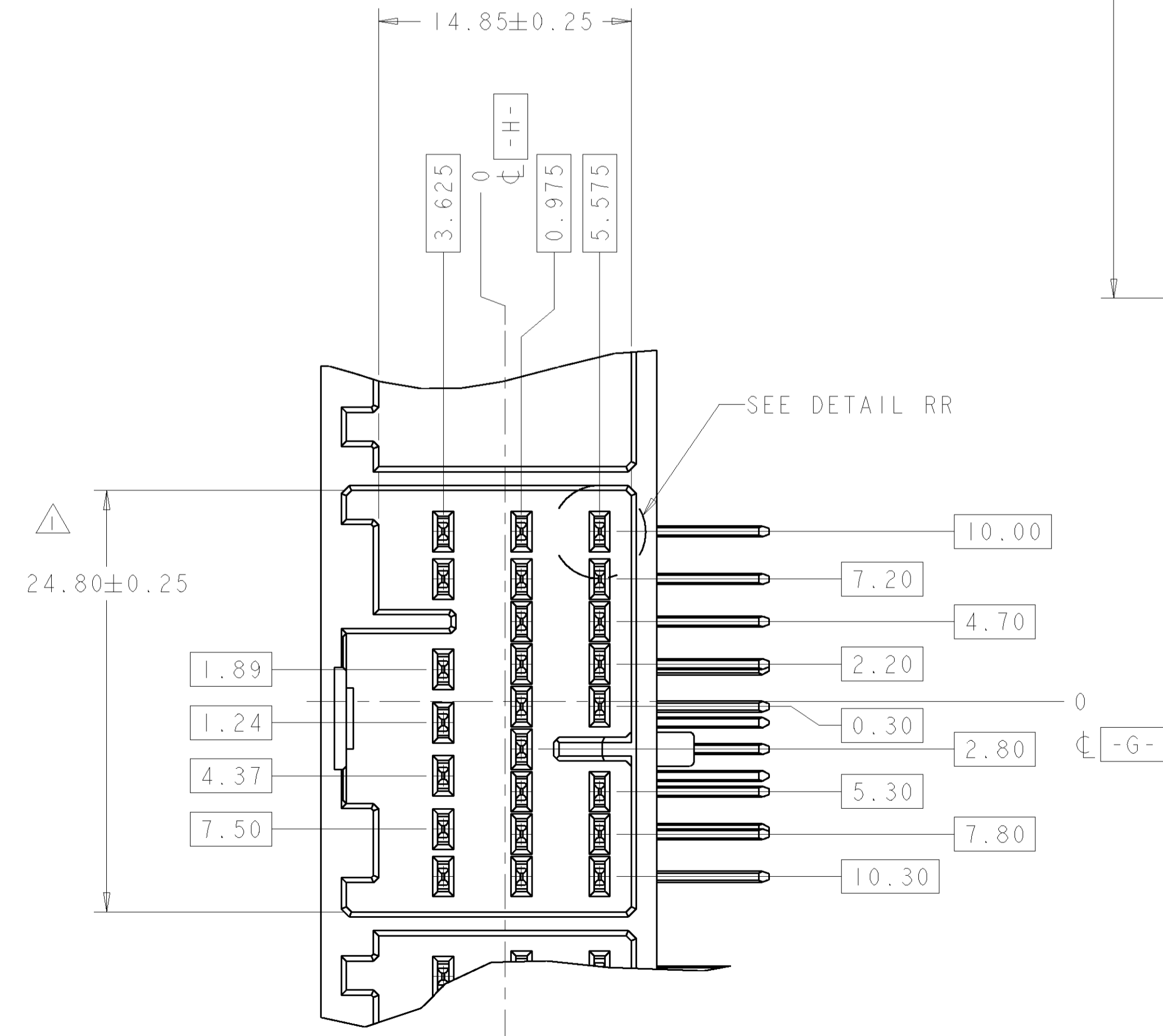
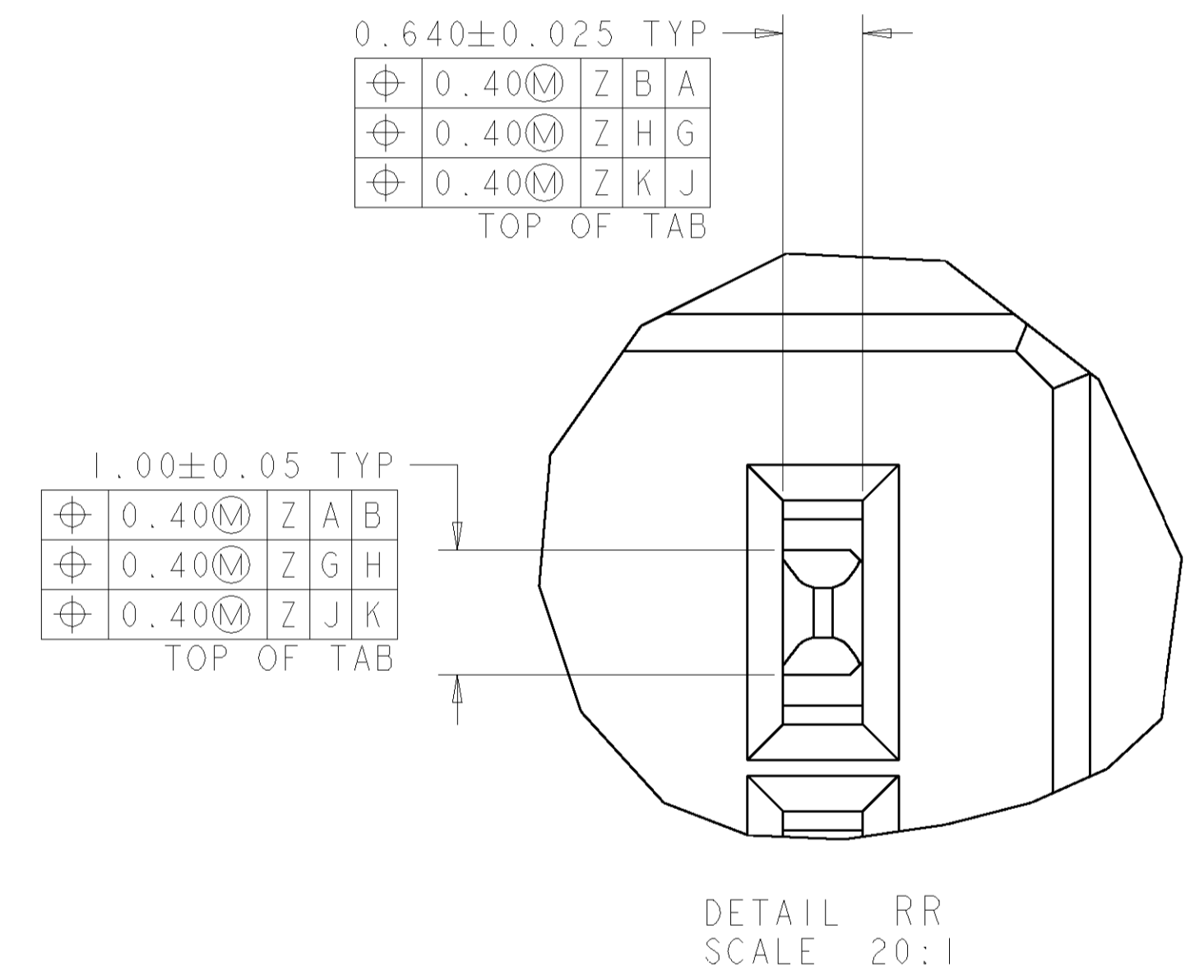
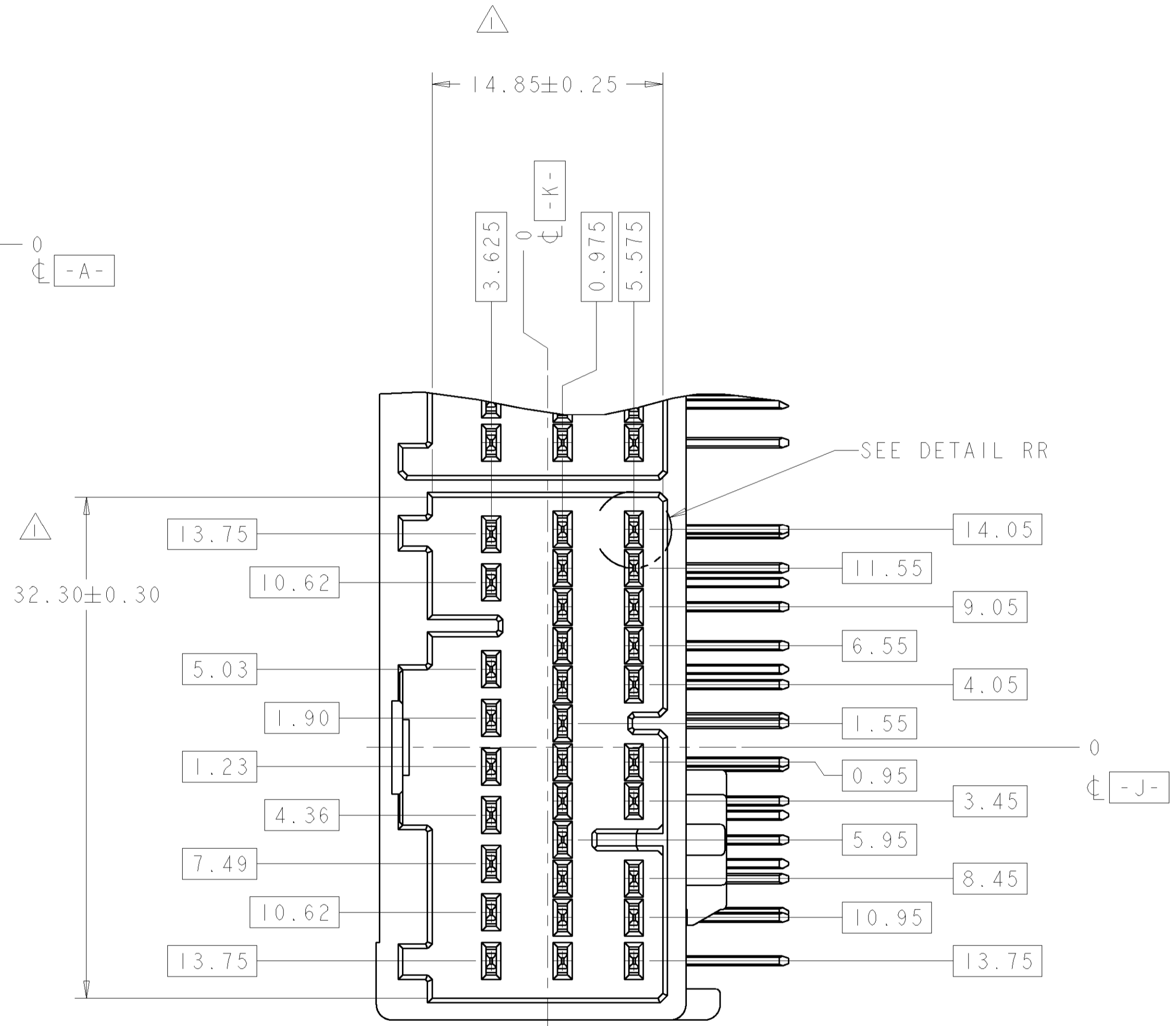
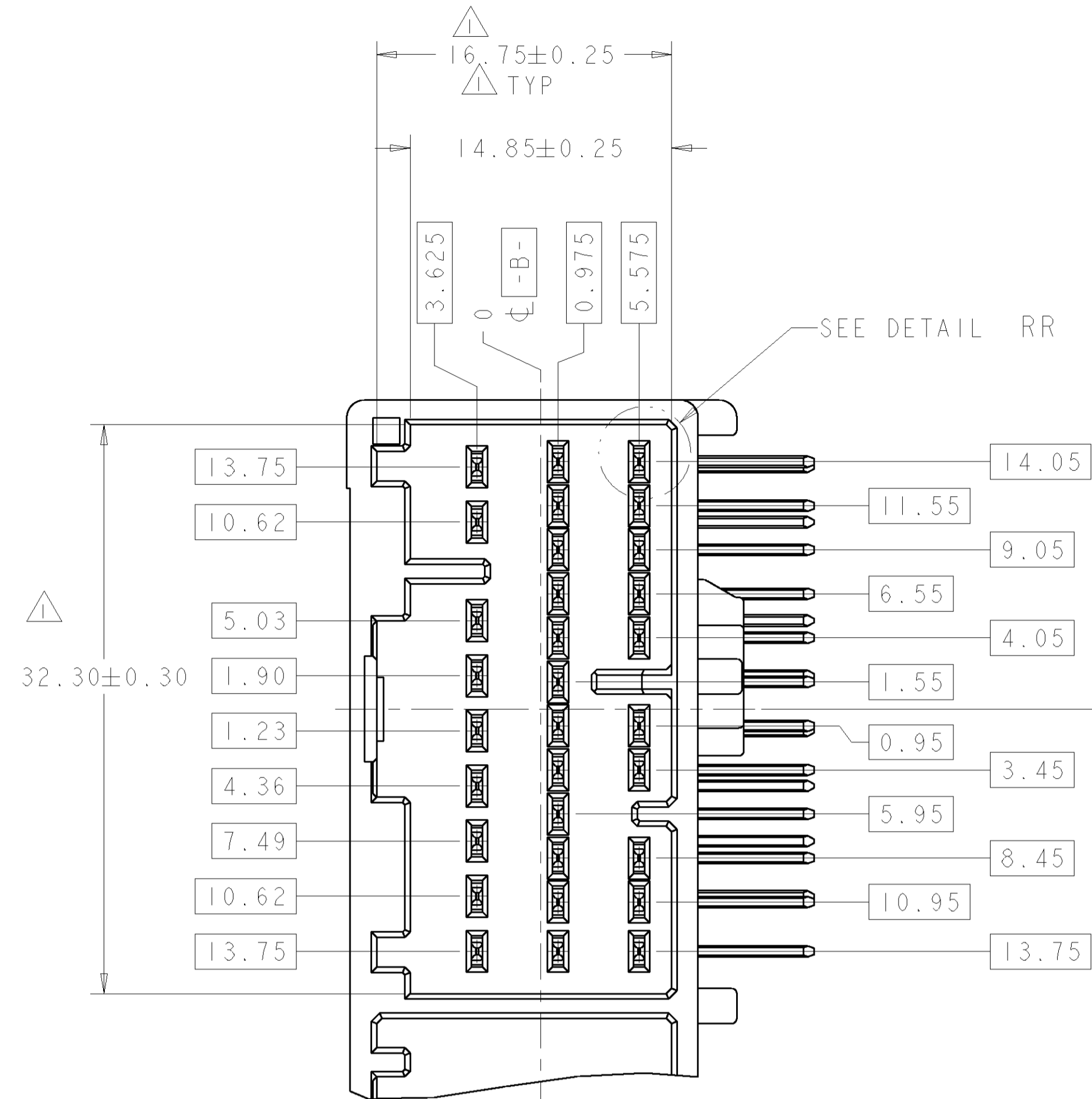
- △ TO BE MEASURED AT 7.5MM FROM -Z-
- 2. POWER CIRCUITS, 29 PLACES, SEE FIG 1
- 3. FOR CIRCUIT NUMBERS, SEE FIG 1
- △ DATE CODE
- 5. TO BE MATED SMOOTHLY WITH:
24 POSN: P/N 353029
31 POSN: P/N 353826, 1318682
- 6. RECOMMENDED SCREW: PAN HEAD, TYPE 2 TAPPING SCREW, 3.0 DIA X 6.0 LG MAX, PER JIS B1115, B1122
- 7. FASTENING TORQUE FOR SCREW: 0.392Nm MAX
- △ TO BE DETERMINED BY CUSTOMER

NATURAL	PBT	TINE PLATE	3
PRE-TIN	COPPER ALLOY	TAB CONTACT	2
NATURAL	PBT	CAP HOUSING	1
FINISH/COLOR	MATERIAL	NAME	ITEM NO

638760-1
PART NUMBER

<small>THIS DRAWING IS UNPUBLISHED. RELEASED FOR PUBLICATION. ALL RIGHTS RESERVED. ALL DIMENSIONS ARE IN MILLIMETERS UNLESS OTHERWISE SPECIFIED. DIMENSIONS SHOWN IN PARENTHESES ARE FOR INFORMATION ONLY. DIMENSIONS IN PARENTHESES TAKE PRECEDENCE OVER DIMENSIONS IN BRACKETS.</small>		DWN: JEFF MCNEAL CDR: RAY SMITH APPD: RAY SMITH	24MAY2000 24MAY2000 24MAY2000	Tyco Electronics Harrisburg, PA 17105-3608
DIMENSIONS: mm	TOLERANCES UNLESS OTHERWISE SPECIFIED: 0 PLC ±0.30 1 PLC ±0.30 2 PLC ±0.30 3 PLC ±0.30 4 PLC ±0.30 ANGLES ±°	PRODUCT SPEC: 108-5673 APPLICATION SPEC: 411-5931	NAME: ASSEMBLY, 86 POSN HD111, 040 SERIES CAP HOUSING SIZE: A1 CAGE CODE: 00779 DRAWING NO: 638760	WEIGHT: 36.5g CUSTOMER DRAWING
MATERIAL: - FINISH: -		SCALE: 2:1 SHEET 1 OF 3 REV B		

LOC	DIST	REVISIONS			
F	LTR	DESCRIPTION	DATE	DWN	APPD
-	-	SEE SHEET 1	-	-	-



DETAIL ZZ
SCALE 4:1

DETAIL VV
SCALE 4:1

DETAIL WW
SCALE 4:1

<small>THIS DRAWING IS UNPUBLISHED. RELEASED FOR PUBLICATION. ALL RIGHTS RESERVED. ALL DIMENSIONS ARE IN MILLIMETERS UNLESS OTHERWISE SPECIFIED. DIMENSIONS IN PARENTHESES ARE IN INCHES. DIMENSIONS IN BRACKETS ARE IN MILLIMETERS.</small>		DWN: JEFF MCNEAL CDR: RAY SMITH APD: RAY SMITH	24MAY2000 24MAY2000 24MAY2000	Tyco Electronics Harrisburg, PA 17105-3608
DIMENSIONS: mm	TOLERANCES UNLESS OTHERWISE SPECIFIED: 0 PLC ± 0.30 1 PLC ± 0.30 2 PLC ± 0.30 3 PLC ± 0.30 4 PLC ± 0.30 ANGLES: $\pm 1^\circ$	PRODUCT SPEC: APPLICATION SPEC: WEIGHT:	NAME: ASSEMBLY, 86 POSN HDIII, 040 SERIES CAP HOUSING SIZE: A1 CAGE CODE: 00779 DRAWING NO: C=638760	SCALE: 2:1 SHEET: 2 OF 3 REV: B
MATERIAL: - FINISH: -		CUSTOMER DRAWING		

