

# G-INTRO-M32-M68N-PEPDS-BK - Cable gland



1415191

<https://www.phoenixcontact.com/us/products/1415191>

Please be informed that the data shown in this PDF document is generated from our online catalog. Please find the complete data in the user documentation. Our general terms of use for downloads are valid.



Cable gland, material for screw connection: PA, application: Standard, external cable diameter 13 mm ... 21 mm, shielding: no, connecting thread: M32 x 1.5, color: jet black, with external strain relief

## Your advantages

- Glow-wire test: 750°C
- Weatherproof sealing material
- Halogen-free

## Commercial data

Item number	1415191
Packing unit	5 pc
Minimum order quantity	5 pc
Sales key	BF68
Product key	AF7DEX
GTIN	4055626038193
Weight per piece (including packing)	52 g
Weight per piece (excluding packing)	42.854 g
Customs tariff number	39269097
Country of origin	DE

# G-INTRO-M32-M68N-PEPDS-BK - Cable gland



1415191

<https://www.phoenixcontact.com/us/products/1415191>

## Technical data

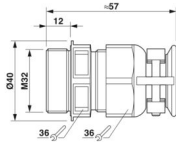
### Product properties

Product type	Cable screw gland
Application	Standard
No. of conductors	1
Manufacturer	WISKA
Manufacturer Designation	ESKVZ 32
Shielded	no
Execution of the strain relief	B

### Characteristics

Category of shock impact	4
Design, Strain relief	B

### Dimensions

Dimensional drawing	
Length	57 mm
Length of the connecting thread	12 mm
Length without connecting thread	45 mm
Hole diameter	32.1 mm ... 32.3 mm
Wrench size, union nut	36 mm
Wrench size, support	36 mm
Clamping range of the strain relief clip	13.00 mm ... 21.00 mm
Hexagon angular dimension	40 mm
Thread type connection side	M32 x 1.5
Thread pitch	1.5 mm

### Connection data

Tightening torque	6 Nm (Union nut: EN 62444)
	15 Nm (Support: EN 62444)
	0.5 Nm (Screw for clip)

### Material specifications

Color	black (RAL 9005)
Material	PA (Screw connection, halogen-free)
Seal material Cable seal	EPDM
Glow wire ignition temperature GWIT according to EN 60695-2-13	750
Material for screw connection	PA

# G-INTRO-M32-M68N-PEPDS-BK - Cable gland



1415191

<https://www.phoenixcontact.com/us/products/1415191>

## Cable/line

External cable diameter Cable 1	13 mm ... 21 mm
External cable diameter	14.6 mm ... 19.5 mm (for UL 514 B)
Halogen-free	yes

## Environmental and real-life conditions

### Ambient conditions

Degree of protection	IP68 (5 bar / 0.5 h)
	IP69 (DIN EN 60529 / IEC 60529)
Ambient temperature (operation)	-40 °C ... 100 °C (static)

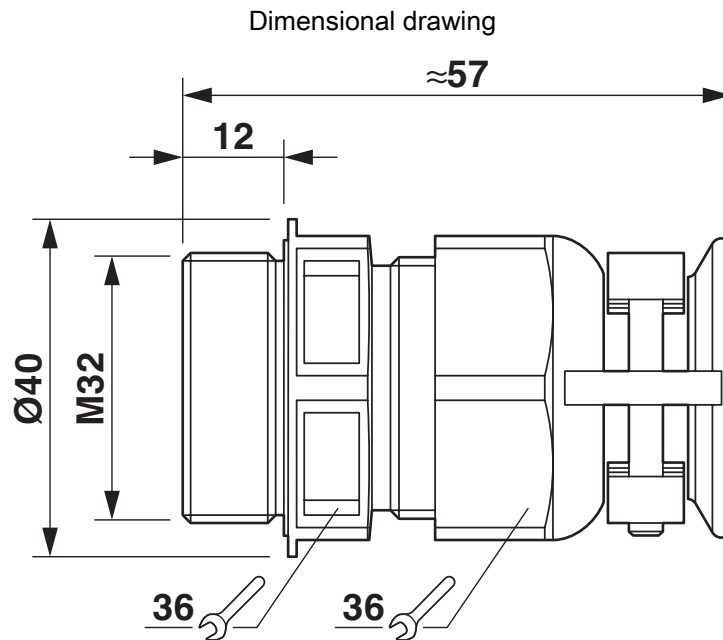
# G-INTRO-M32-M68N-PEPDS-BK - Cable gland



1415191

<https://www.phoenixcontact.com/us/products/1415191>

## Drawings



# G-INTRO-M32-M68N-PEPDS-BK - Cable gland



1415191

<https://www.phoenixcontact.com/us/products/1415191>

## Approvals

To download certificates, visit the product detail page: <https://www.phoenixcontact.com/us/products/1415191>



**cUL Recognized**

Approval ID: E179850



**UL Recognized**

Approval ID: E179850



**GOST-R**

Approval ID: POCC DE.A\*98.H12052

# G-INTRO-M32-M68N-PEPDS-BK - Cable gland



1415191

<https://www.phoenixcontact.com/us/products/1415191>

## Classifications

### ECLASS

ECLASS-13.0	27140801
ECLASS-15.0	27140801

### ETIM

ETIM 9.0	EC000441
----------	----------

### UNSPSC

UNSPSC 21.0	39121300
-------------	----------

# G-INTRO-M32-M68N-PEPDS-BK - Cable gland



1415191

<https://www.phoenixcontact.com/us/products/1415191>

## Environmental product compliance

### EU RoHS

Fulfills EU RoHS substance requirements	Yes, No exemptions
---	--------------------

### China RoHS

Environment friendly use period (EFUP)	EFUP-E
	No hazardous substances above the limits

### EU REACH SVHC

REACH candidate substance (CAS No.)	No substance above 0.1 wt%
-------------------------------------	----------------------------

### EF3.0 Climate Change

CO2e kg	0.27 kg CO2e
---------	--------------

Phoenix Contact 2025 © - all rights reserved  
<https://www.phoenixcontact.com>

Phoenix Contact USA  
586 Fulling Mill Road  
Middletown, PA 17057, United States  
(+717) 944-1300  
[info@phoenixcon.com](mailto:info@phoenixcon.com)