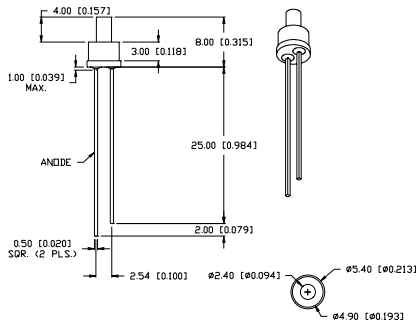


## SSL-LX20583 Series

## T-2mm Tall Stove Pipe Lens



### FEATURES / OPTIONS

- ▶ State-of-the-Art, High Brightness Chip Technology
- ▶ Choice of Colors and Lens Finishes
- ▶ Lead Frame / Lens Casting Reliability
- ▶ Easy-to-Solder Leads, Tin Finish
- ▶ Available Bulk or on Tape and Reel
- ▶ Lead Trimming and Forming Available
- ▶ Custom Shapes, Easily Tooled, Low Minimum

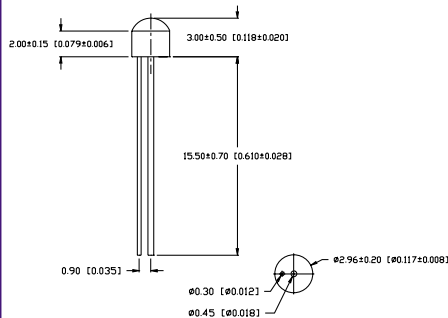
### APPLICATIONS / USES

- ▶ Board or Panel Indication or Illumination
- ▶ Backlighting of Overlays and Graphics
- ▶ Annunciator and Control Panels
- ▶ Keyboards and Switches
- ▶ Telecom Switches and Central Station Equipment
- ▶ Signs, Warning Lights, Displays

Lumex Part Number	Die Material	Emitted Color	Peak (nm)	Lens	Operating Current (mA)	Operating TYP. Vf (V)	Brightness TYP. Mcd	@ mA	View Angle° 2θ
<b>HIGH BRIGHTNESS</b>									
SSL-LX20583SID-FT	AlInGaP	Super High Intensity Red	636	Red Diffused	5-25	2	15	20	100
SSL-LX20583SOD-FT	AlInGaP	Super Orange	610	Orange Diffused	5-25	2	15	20	100
SSL-LX20583SUGD-FT	AlInGaP	Super Ultra Green	574	Green Diffused	5-25	2.2	20	20	100
SSL-LX20583SYD-FT	AlInGaP	Super Yellow	590	Yellow Diffused	5-25	2	15	20	100
SSL-LX20583USB-FT	InGaN/SiC	Ultra Super Blue	470	Blue Diffused	5-25	3.5	20	20	100
<b>STANDARD BRIGHTNESS</b>									
SSL-LX20583GD-FT	GaP	Green	565	Green Diffused	5-25	2.2	10	20	100
SSL-LX20583HD-FT	GaP	High Efficiency Red	700	Red Diffused	5-25	2	5	20	100
SSL-LX20583ID-FT	GaAsP	High Intensity Red	635	Red Diffused	5-25	2	20	20	100
SSL-LX20583SRD-FT	GaAlAs	Super Red	660	Red Diffused	5-25	1.7	60	20	100
SSL-LX20583YD-FT	GaAsP	Yellow	585	Yellow Diffused	5-25	2.1	10	20	100

## SSL-LX304C Series

## T-3mm Ceramic Stem



### FEATURES / OPTIONS

- ▶ State-of-the-Art, High Brightness Chip Technology
- ▶ Choice of Colors and Lens Finishes
- ▶ Ceramic Stem Reliability
- ▶ Easy-to-Solder Leads, Tin Finish
- ▶ Available Bulk
- ▶ Lead Trimming

### APPLICATIONS / USES

- ▶ Board or Panel Indication or Illumination
- ▶ Backlighting of Overlays and Graphics
- ▶ Annunciator and Control Panels
- ▶ Keyboards and Switches
- ▶ Telecom Switches and Central Station Equipment

Lumex Part Number	Die Material	Emitted Color	Peak (nm)	Lens	Operating Current (mA)	Operating TYP. Vf (V)	Brightness TYP. Mcd	@ mA	View Angle° 2θ
<b>HIGH BRIGHTNESS</b>									
SSL-LX304CSID	AlInGaP	Super High Intensity Red	636	Red Diffused	5-25	2	25	20	140
SSL-LX304CSOD	AlInGaP	Super Orange	610	Orange Diffused	5-25	2	25	20	140
SSL-LX304CSUGD	AlInGaP	Super Ultra Green	574	Green Diffused	5-25	2.2	20	20	140
SSL-LX304CSYD	AlInGaP	Super Yellow	590	Yellow Diffused	5-25	2	30	20	140
SSL-LX304CUSBD	InGaN/SiC	Ultra Super Blue	470	Blue Diffused	5-25	3.5	20	20	140
<b>STANDARD BRIGHTNESS</b>									
SSL-LX304CGD	GaP	Green	565	Green Diffused	5-25	2.2	1	20	140
SSL-LX304CHD	GaP	High Efficiency Red	700	Red Diffused	5-25	2	1	20	140
SSL-LX304CID	GaAsP	High Intensity Red	635	Red Diffused	5-25	2	6	20	140
SSL-LX304CYD	GaAsP	Yellow	585	Yellow Diffused	5-25	2.1	3	20	140



USA/Canada 1-800-278-5666  
Asia +886-3-5821124



[www.lumex.com](http://www.lumex.com)



USA/Canada 1-847-359-8904  
Asia +886-3-5821154

