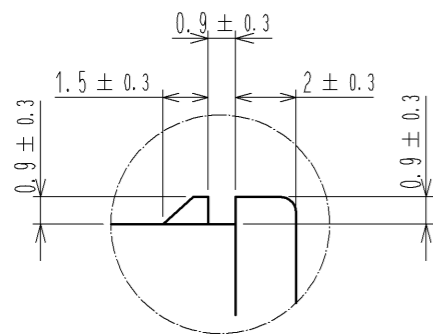
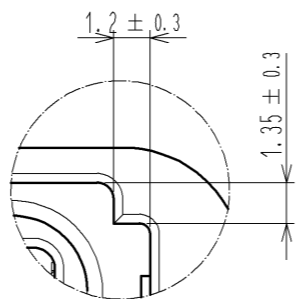


Jul.1.2019 Copyright 2019 HIROSE ELECTRIC CO., LTD. All Rights Reserved.
 In case of consideration for using Automotive equipment / device which demand high reliability, kindly contact our sales window correspondents.

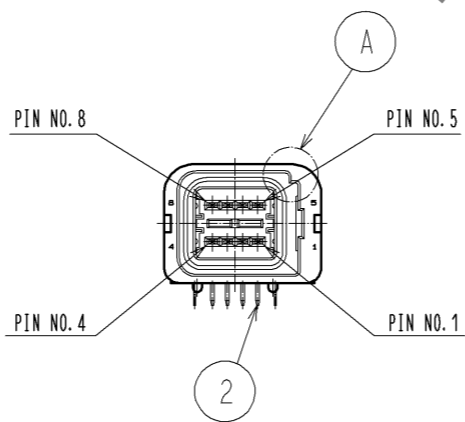
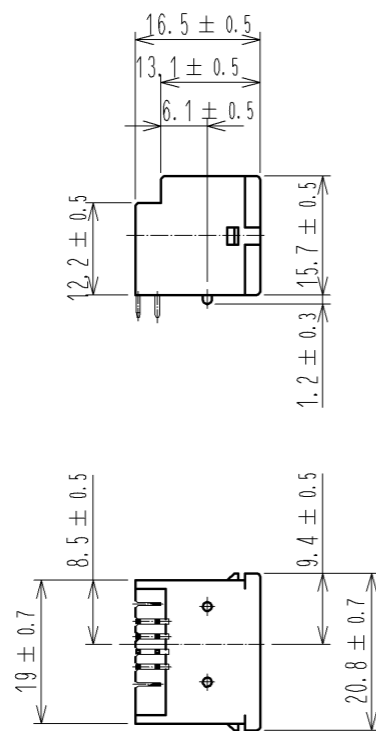
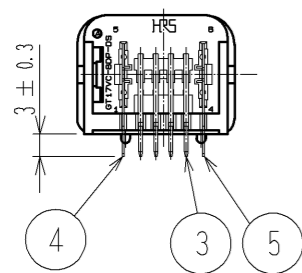
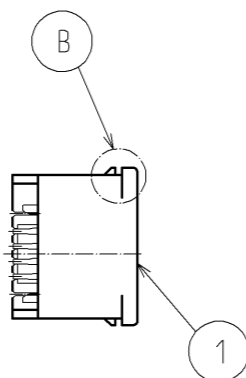
ELV, RoHS COMPLIANT



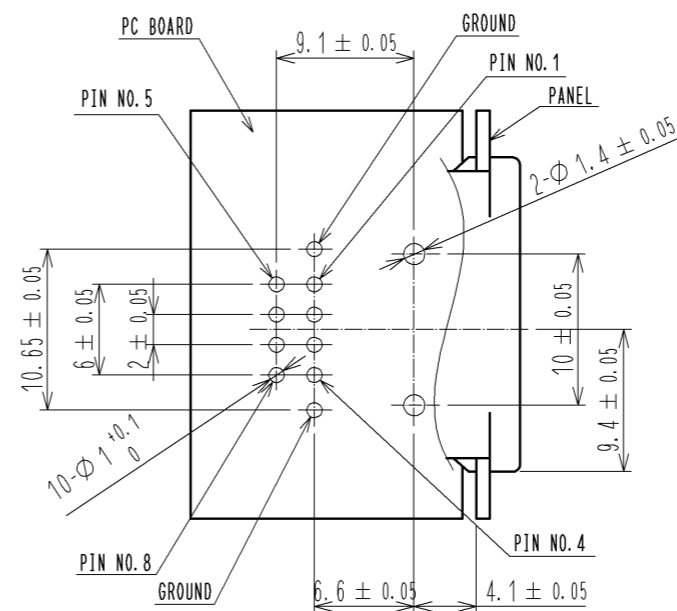
B(4:1)



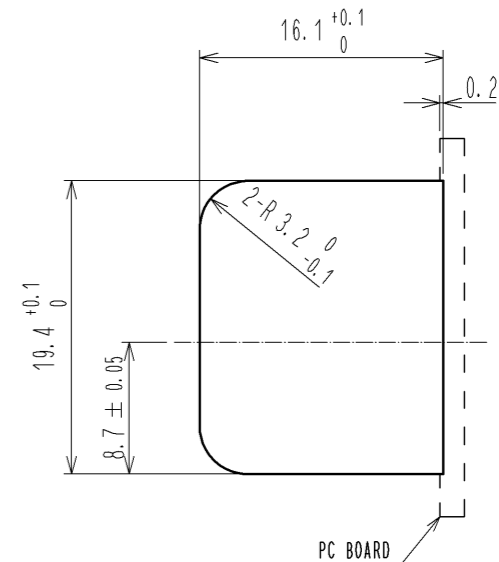
A(4:1)



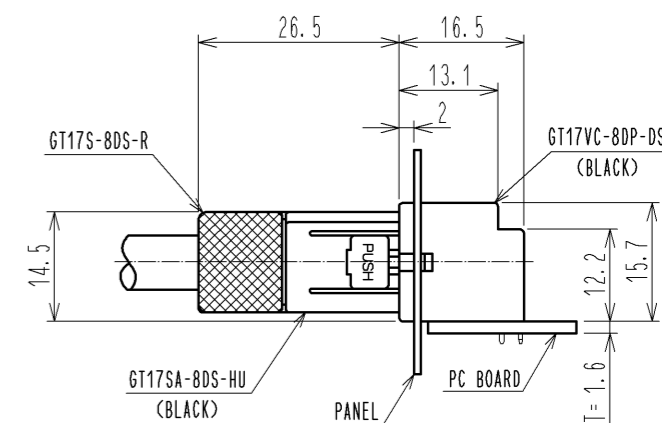
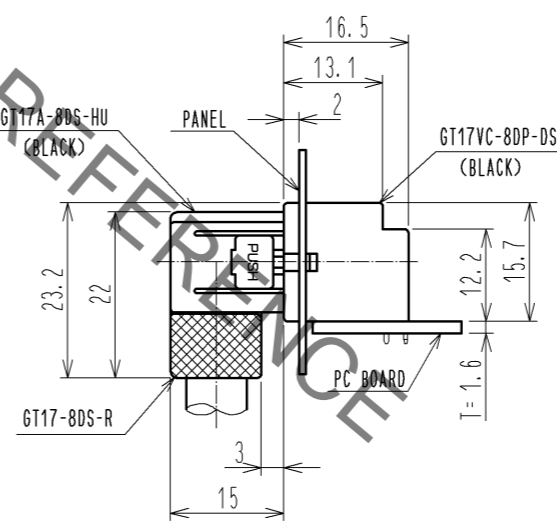
HRS DRAWING FOR REFERENCE



RECOMMENDED PC BOARD HOLE PATTERN(2:1)



RECOMMENDED PANEL CUTOUT(2:1)



MATED CONNECTOR

3	BRASS	TIN PLATED . T=0.64	5	COPPER ALLOY	TIN PLATED . T=0.25
2	BRASS	TIN PLATED . T=0.64	4	COPPER ALLOY	TIN PLATED . T=0.25
1	PBT	BLACK			
NO.	MATERIAL	FINISH . REMARKS	NO.	MATERIAL	FINISH . REMARKS
UNITS mm		SCALE 1 : 1	COUNT	DESCRIPTION OF REVISIONS	
DESIGNED		CHECKED		DATE	
APPROVED : KS. SATOH			08.06.23		
CHECED : NH. NAKATA			08.06.20		
DESIGNED : TS. KUBOTA			08.06.12		
DRAWN : TS. KUBOTA			08.06.12		
DRAWING NO.				EDC3-167190-00	
PART NO.				GT17VC-8DP-DS	
CODE NO.				CL767-0199-8-00	