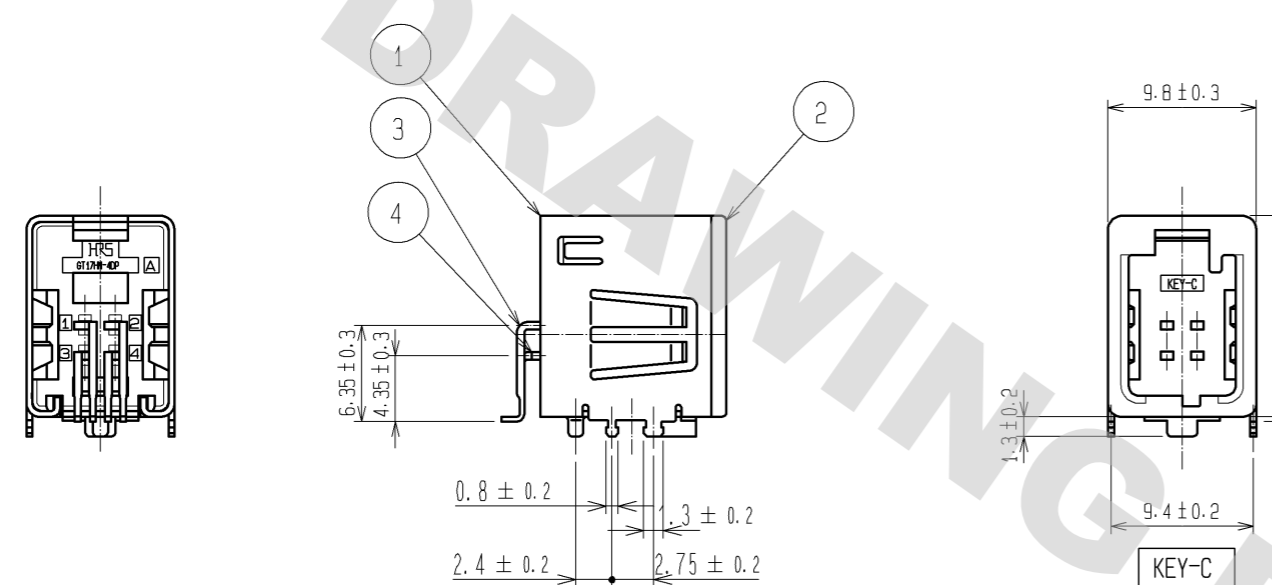
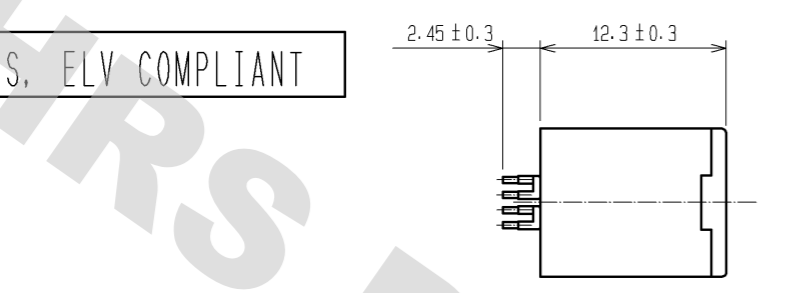


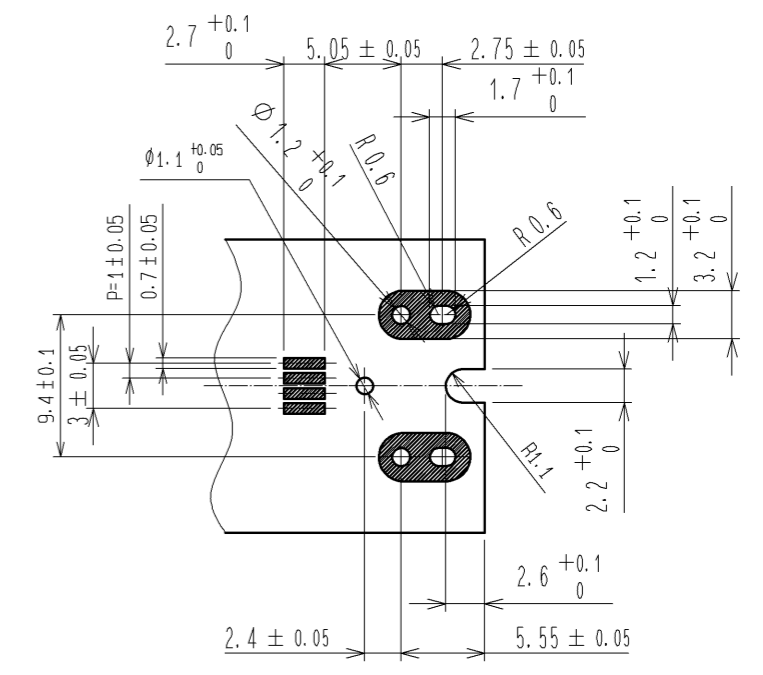
DRAWING FOR REFERENCE: This is subject to change without notice  
08/11/2012

RoHS, ELV COMPLIANT

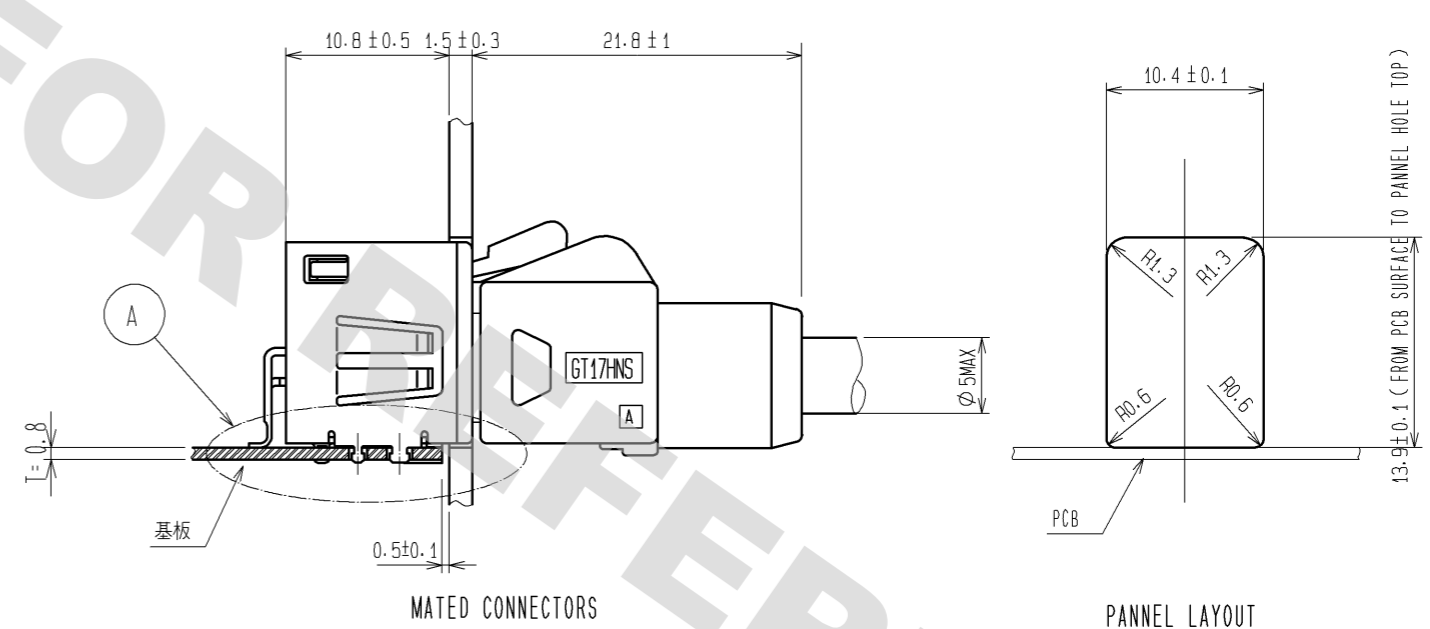
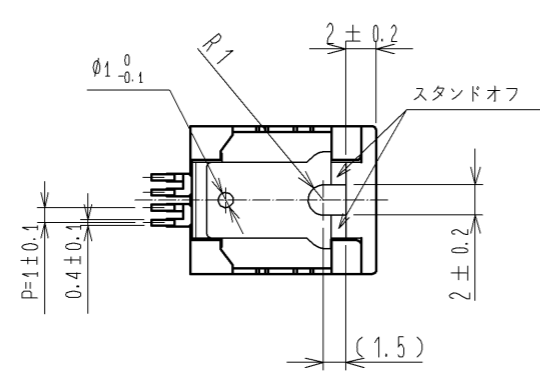


DIMENSION FROM PCB SURFACE TO CONNECTOR TOP

KEY-C

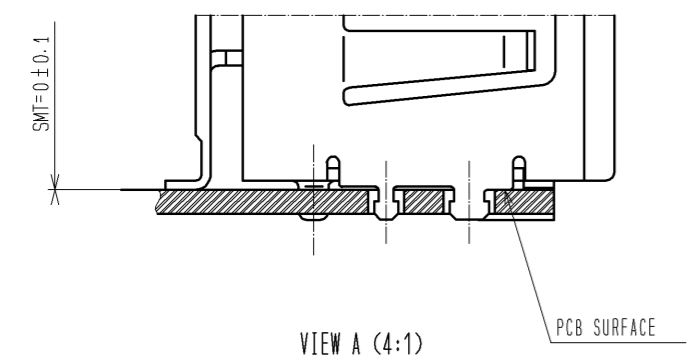


RECOMMENDED PCB LAYOUT



MATED CONNECTORS

PANNEL LAYOUT



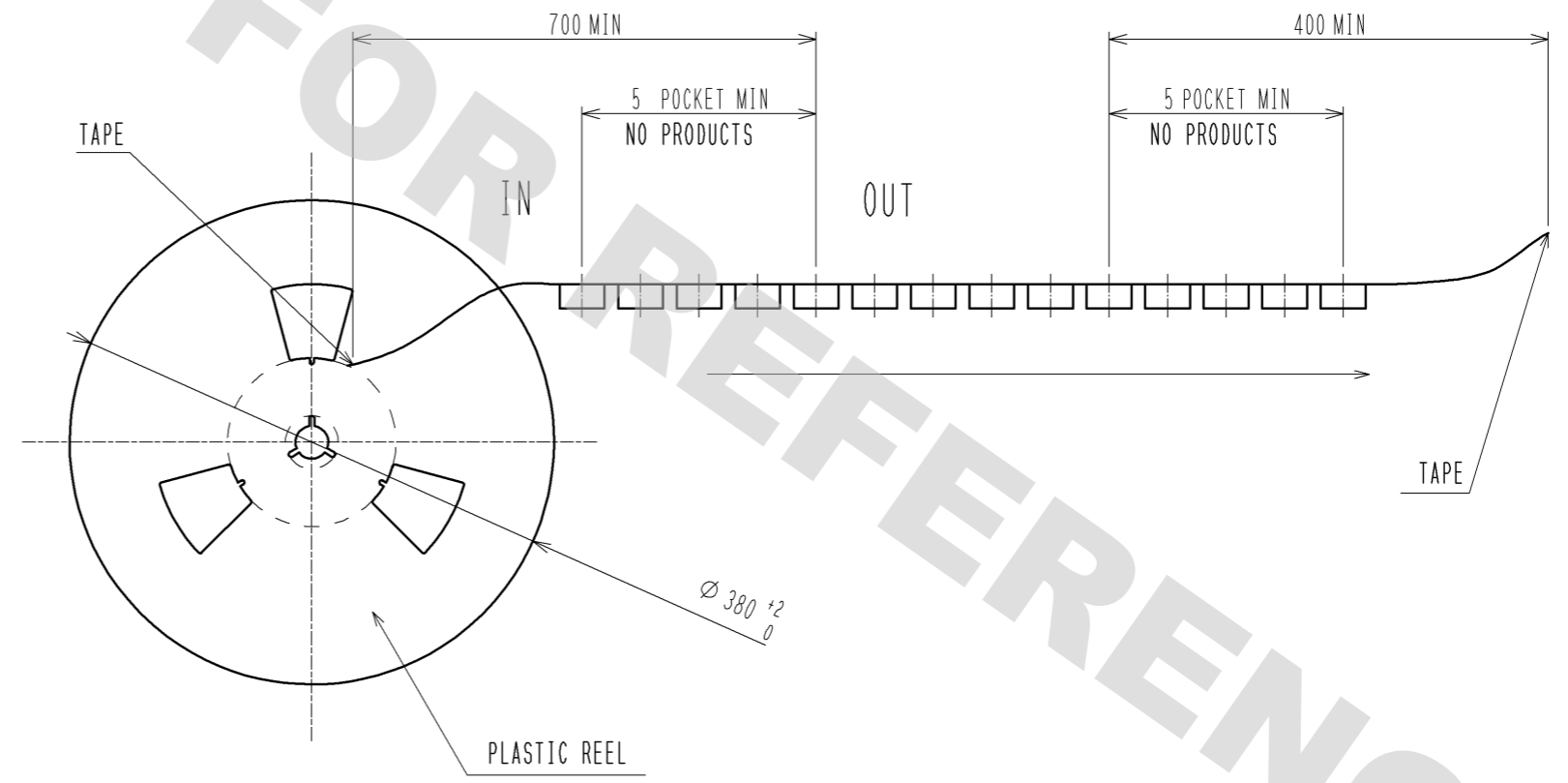
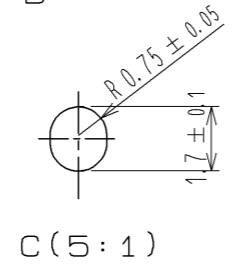
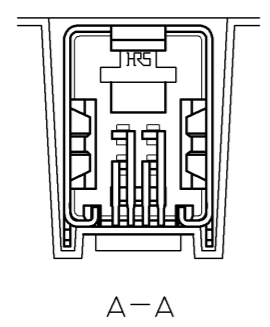
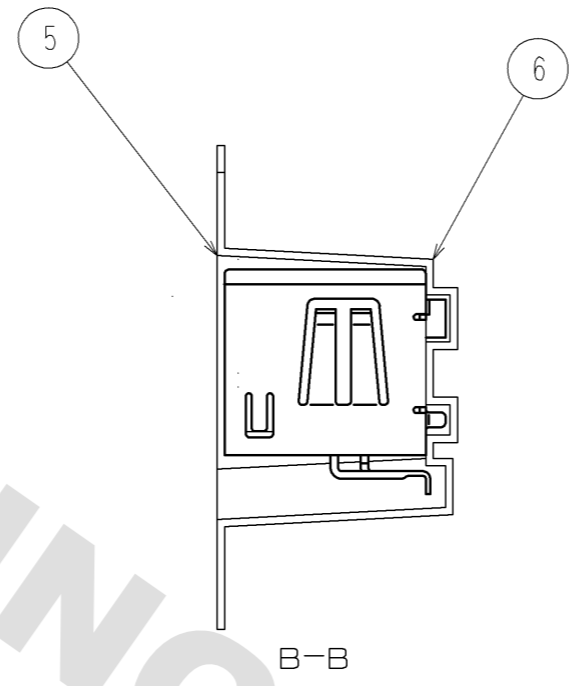
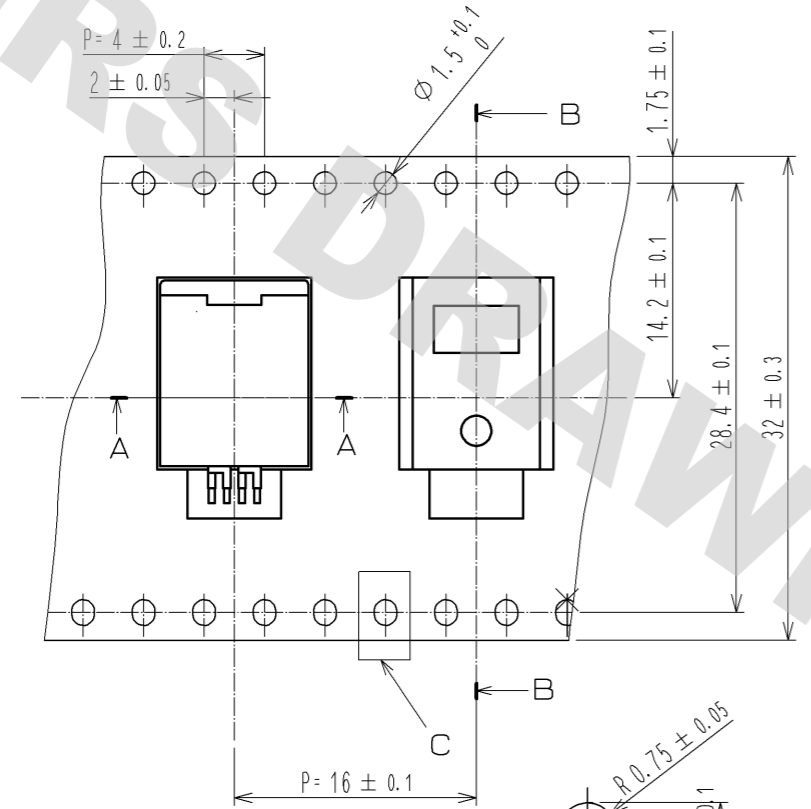
VIEW A (4:1)

NOTE 1. COPLANARITY: 0.1 MAX.  
NOTE 2. RECOMMENDED SOLDER THICKNESS: 0.15mm

3	BRASS	TIN PLATING	6	PS	
2	PPS	BLUE	5	PS	
1	COPPER ALLOY	TIN PLATING	4	BRASS	TIN PLATING
NO.	MATERIAL	FINISH . REMARKS	NO.	MATERIAL	FINISH . REMARKS
UNITS	mm	SCALE	2 : 1	COUNT	DESCRIPTION OF REVISIONS
				DESIGNED	CHECKED
				DATE	
APPROVED : AR. SHIRAI			10.07.22		
CHECKED : AR. SHIRAI			10.07.22		
DESIGNED : NH. NAKATA			10.07.22		
DRAWN : NH. NAKATA			10.07.22		
DRAWING NO.		EDC3-167011-05			
PART NO.		GT17HN-4DP-2H(C)(14)			
CODE NO.		CL767-0176-2-14			

DRAWING FOR REFERENCE: This is subject to change without notice  
08/11/2012

IN REEL DIRECTION OUT



PACKAGE STYLE  
NOTE 1. 300 PCS / REEL  
NOTE 2. TOP COVER TAPE PEEL FORCE TO BE 0.1 TO 0.7 N AFTER SEALING.

<b>HRS</b>	DRAWING NO.	EDC3-167011-05
	PART NO.	GT17HN-4DP-2H(C)(14)
	CODE NO.	CL767-0176-2-14
		△ 2/2