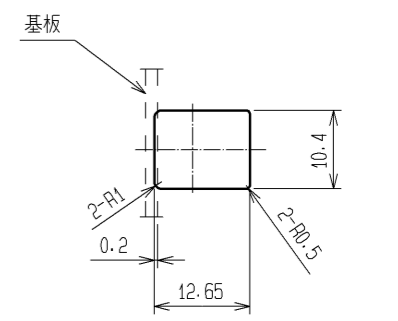
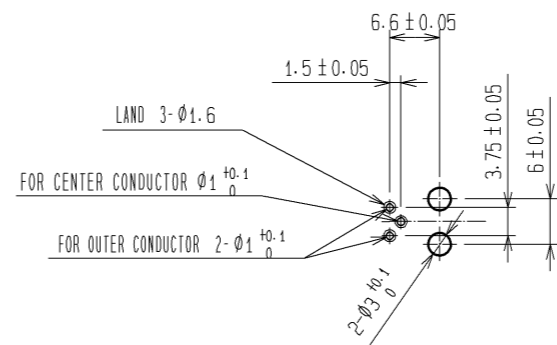
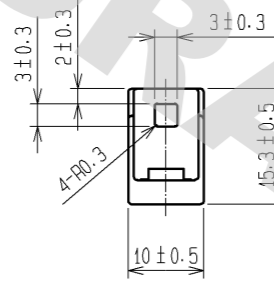
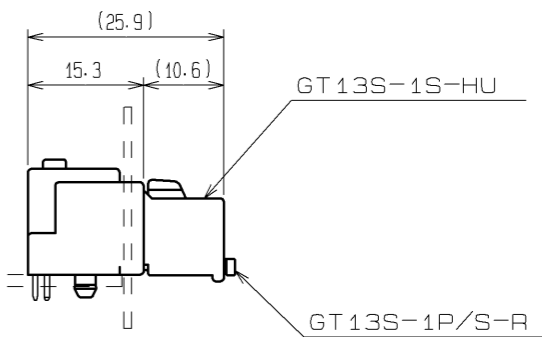
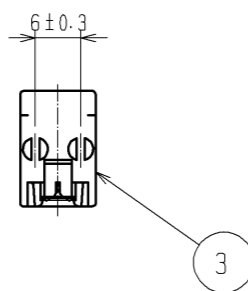
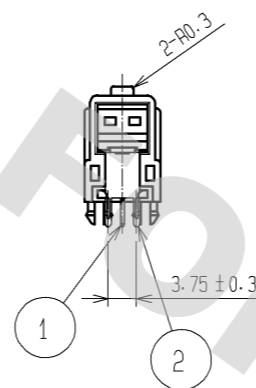
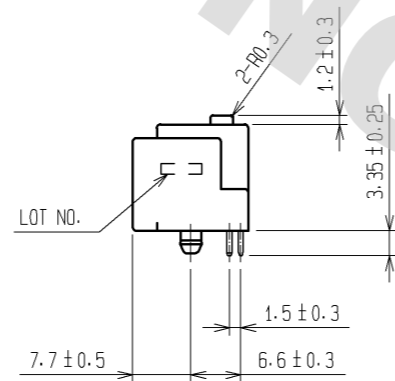
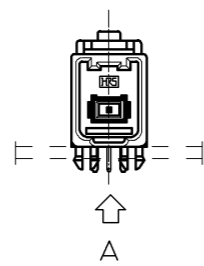
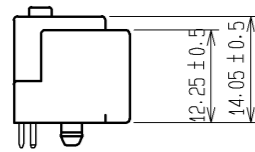


ELV. RoHS



RECOMMENDED PCB LAYOUT
(VIEW FROM BOTTOM SURFACE)

RECOMMENDED PANEL LAYOUT



MATED PAIR FOR USE

2	COPPER ALLOY	TIN PLATED						
1	COPPER ALLOY	TIN PLATED	3	PBT-M	GREEN			
NO.	MATERIAL	FINISH . REMARKS	NO.	MATERIAL	FINISH . REMARKS			
UNITS mm		SCALE 1 : 1		COUNT	DESCRIPTION OF REVISIONS	DESIGNED	CHECKED	DATE
HRS HIROSE ELECTRIC CO., LTD.		APPROVED : NH. NAKATA	10.05.26	DRAWING NO. EDC3-166121-02				
		CHECKED : NH. NAKATA	10.05.26	PART NO. GT13SHA-1PP-DS(35)				
		DESIGNED : TK. SHISHIKURA	10.05.26	CODE NO. CL763-0062-8-35				
		DRAWN : TK. SHISHIKURA	10.05.26					

DRAWING FOR REFERENCE: This is subject to change without notice
08/11/2012