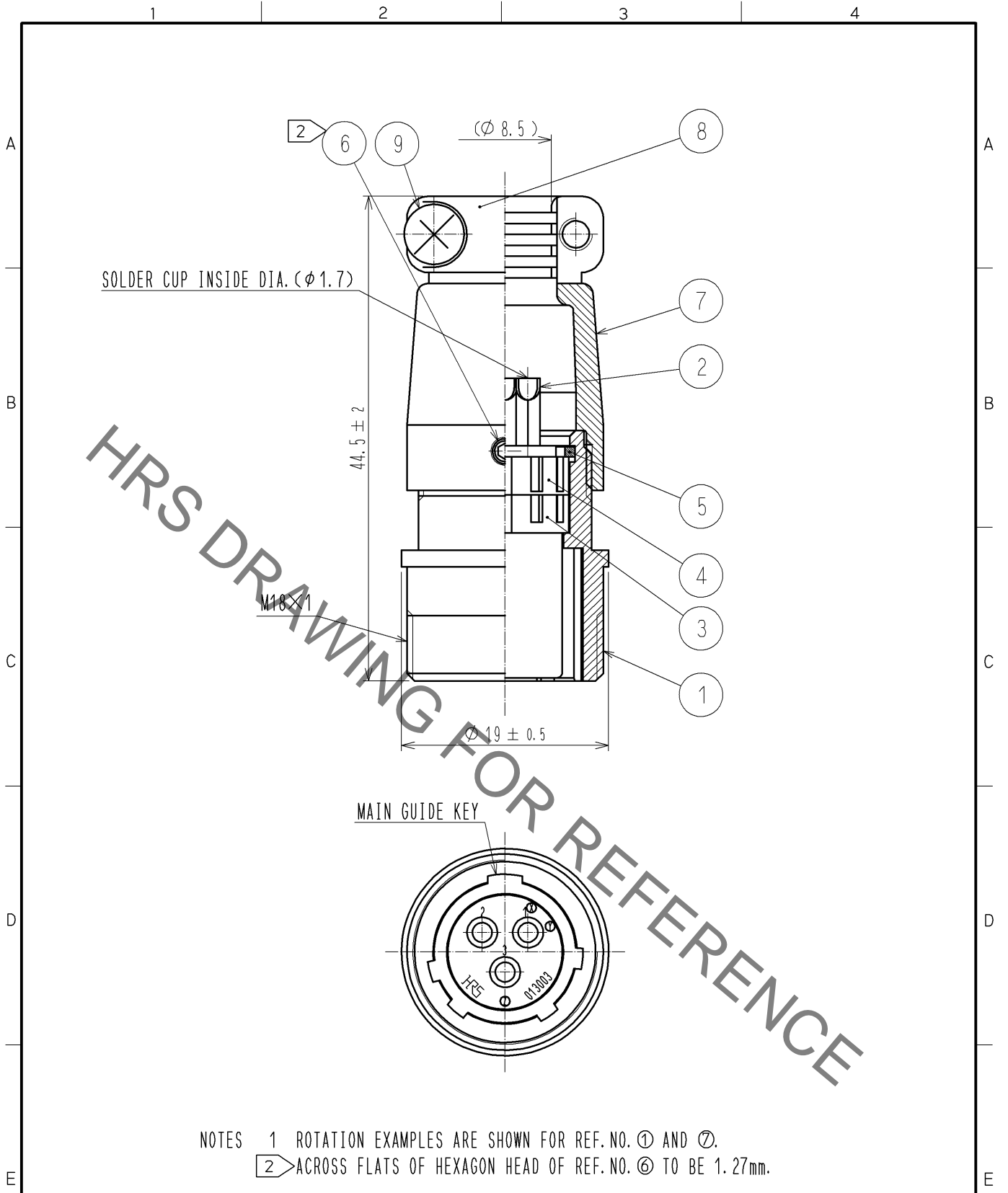


Apr.1.2022 Copyright 2022 HIROSE ELECTRIC CO., LTD. All Rights Reserved.
In case of consideration for using Automotive equipment / device which demand high reliability, kindly contact our sales window correspondents.



NOTES 1 ROTATION EXAMPLES ARE SHOWN FOR REF. NO. ① AND ⑦.
2 ACROSS FLATS OF HEXAGON HEAD OF REF. NO. ⑥ TO BE 1.27mm.

5	PHOSPHOR BRONZE	NICKEL PLATING					
4	PHENOL FORMALDEHYDE	(BLACK) UL94V-0	9	BRASS	NICKEL PLATING M3X0.5X8		
3	PHENOL FORMALDEHYDE	(BLACK) UL94V-0	8	ALUMINUM ALLOY	MATTE FINISH NICKEL PLATED		
2	COPPER ALLOY	SILVER PLATING 2μm MIN.	7	ALUMINUM ALLOY	MATTE FINISH NICKEL PLATED		
1	ALUMINUM ALLOY	MATTE FINISH NICKEL PLATED	6	STEEL	NICKEL PLATING <small>HEX SOCKET SET SCREW M2.6X0.45X2</small>		
NO.	MATERIAL	FINISH .	REMARKS	NO.	MATERIAL	FINISH .	REMARKS

UNITS mm		SCALE 2 : 1	COUNT 	DESCRIPTION OF REVISIONS	DESIGNED	CHECKED	DATE
HRS HIROSE ELECTRIC CO., LTD.		APPROVED : SU. OBARA	10.07.24	DRAWING NO.	EDC4-025488-00		
		CHECKED : HY. KISHI	10.07.24	PART NO.	JR13JK-3S		
		DESIGNED : TH. KAMEYA	10.07.24	CODE NO.	CL114-0541-1-00		
		DRAWN : YS. SAKODA	10.07.22				1/1